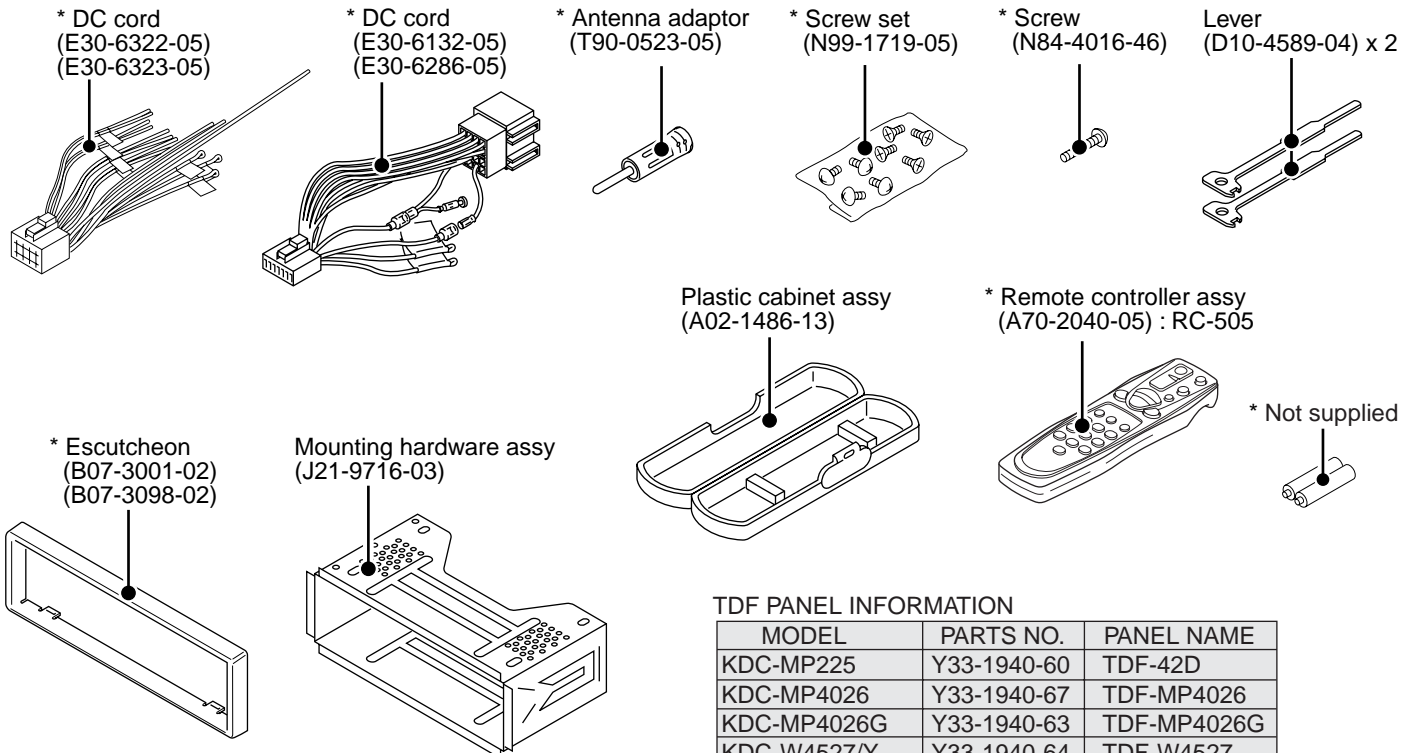
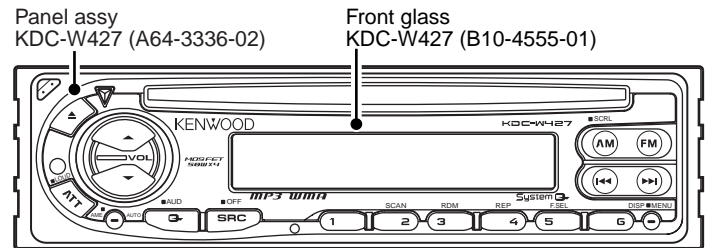
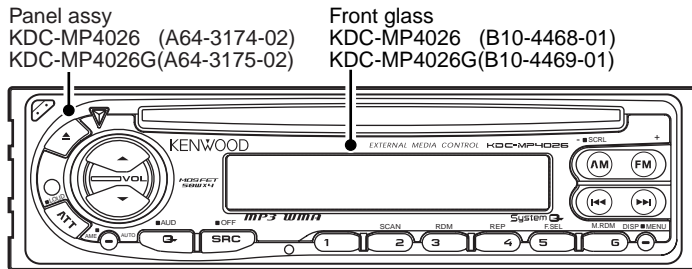
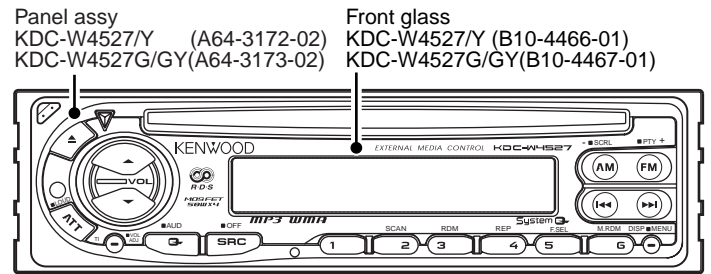
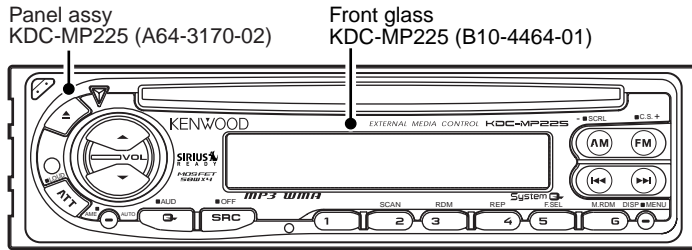


# KDC-MP225 KDC-MP4026/G KDC-W4527/G/GY/Y KDC-W427Y SERVICE MANUAL

CD mechanism extension cord (24PIN) : W05-0934-00



TDF PANEL INFORMATION

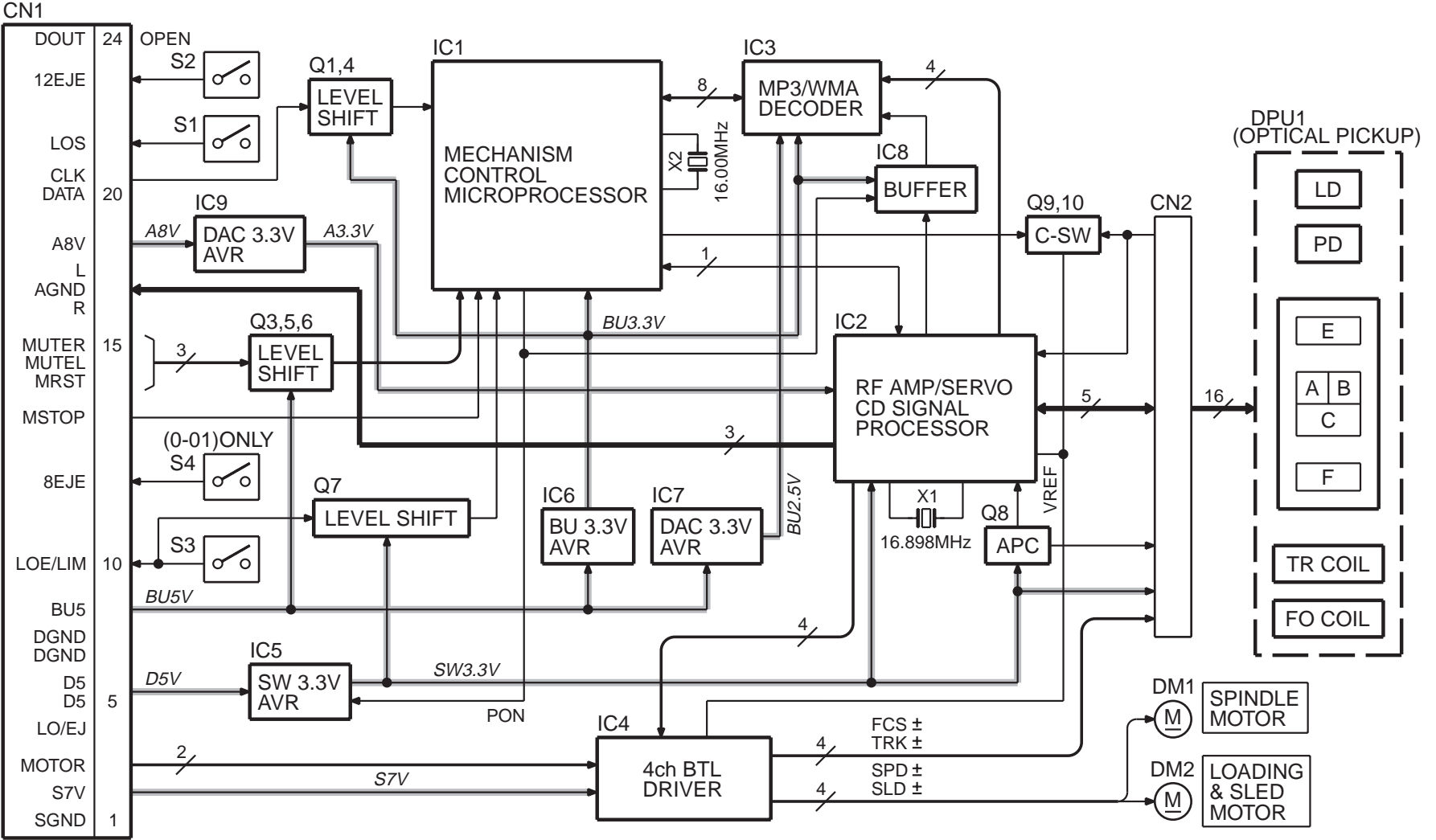
MODEL	PARTS NO.	PANEL NAME
KDC-MP225	Y33-1940-60	TDF-42D
KDC-MP4026	Y33-1940-67	TDF-MP4026
KDC-MP4026G	Y33-1940-63	TDF-MP4026G
KDC-W4527/Y	Y33-1940-64	TDF-W4527
KDC-W4527G/GY	Y33-1940-65	TDF-W4527G
KDC-W427Y	Y33-1940-66	TDF-W427Y

\* Depends on model. Refer to the parts list.

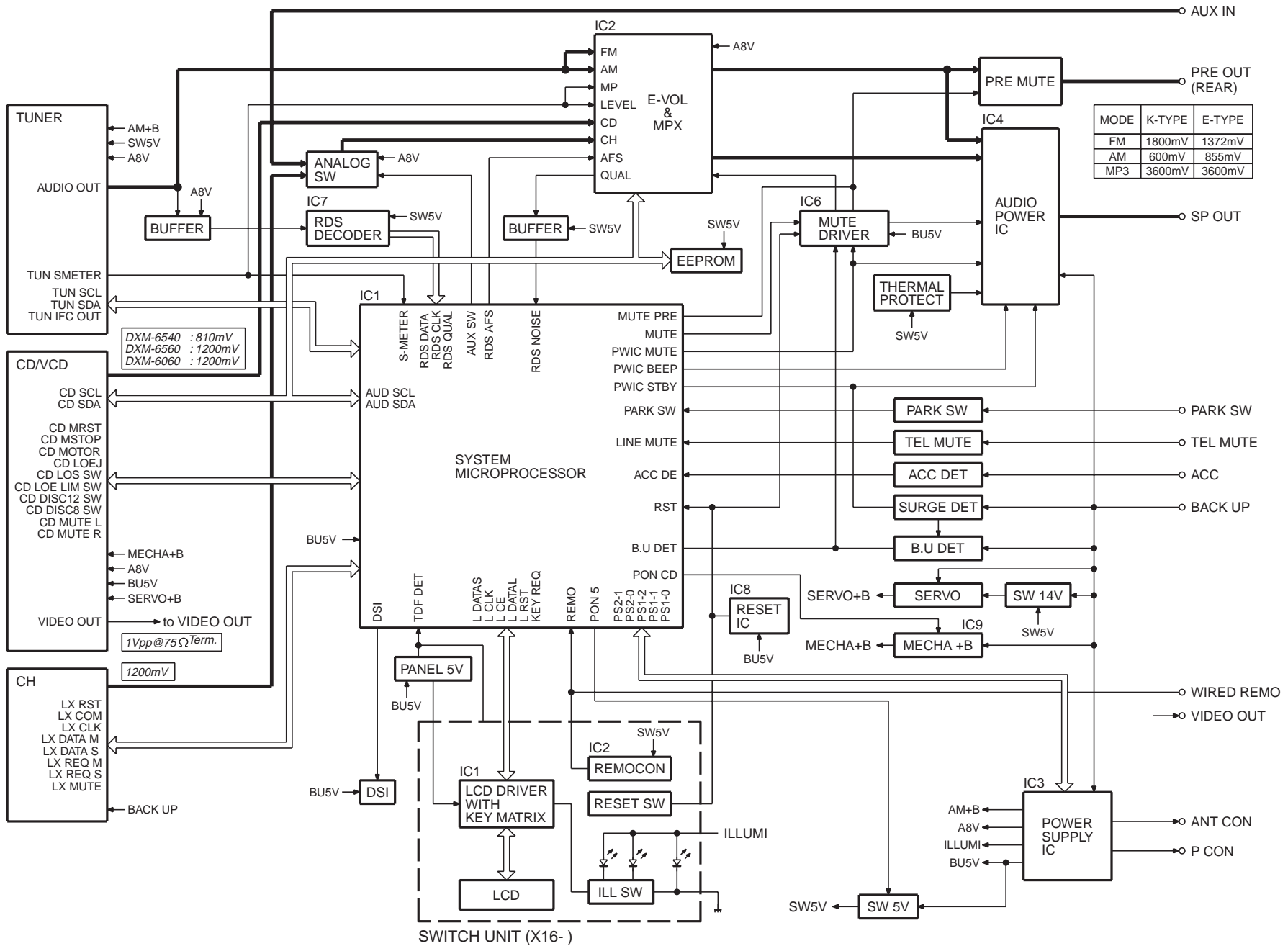


**BLOCK DIAGRAM**

CD PLAYER UNIT (X32-5500-00)



ELECTRIC UNIT (X25-)



BLOCK DIAGRAM

KDC-MP225, MP4026/G  
KDC-W4527/G/GY/Y, W427Y

## COMPONENTS DESCRIPTION

### ● SWITCH UNIT (X16-2640-xx/2642-xx/2652-xx)

Ref. No.	Application / Function	Operation / Condition / Compatibility
IC1	LCD driver	Drive for LCD unit
IC2	Remote control IC	Receiving for the remote control unit
Q1	KEY scan detector	key scan start at base gose "L".
Q2	key illumination SW	Lights up for RED key illumination when base voltage level goes "H"
Q3	key illumination SW	Lights up for GREEN key illumination when base voltage level goes "H"

### ● ELECTRIC UNIT (X25-9980-xx/9982-xx/X34-3172-70)

Ref. No.	Application / Function	Operation / Condition / Compatibility														
IC1	System microcomputer	Control for TUNER unit, CD mechanism, volume & tone, LCD driver and external CD changer unit														
IC2	Electronic volume & N.C.MPX	Control for source selector, volume & tone, and FM multiplex detector.														
IC3	Power supply IC	Power supply for the units (Bu5V, Audio8V, FM+B, AM+B, P-con and ANT-con) <table border="1" style="margin-left: auto; margin-right: auto;"> <tbody> <tr> <td>SW1</td> <td>OUT</td> </tr> <tr> <td>1.5~3.0V</td> <td>Audio ON</td> </tr> <tr> <td>3.5~5.0V</td> <td>Audio P-con ON</td> </tr> <tr> <td>7.0V~</td> <td>Audio P-con, P-ant ON</td> </tr> <tr> <td>SW2</td> <td>OUT</td> </tr> <tr> <td>2.0~3.0V</td> <td>Illumination, FM ON</td> </tr> <tr> <td>4.0V~</td> <td>Illumination, AM ON</td> </tr> </tbody> </table>	SW1	OUT	1.5~3.0V	Audio ON	3.5~5.0V	Audio P-con ON	7.0V~	Audio P-con, P-ant ON	SW2	OUT	2.0~3.0V	Illumination, FM ON	4.0V~	Illumination, AM ON
SW1	OUT															
1.5~3.0V	Audio ON															
3.5~5.0V	Audio P-con ON															
7.0V~	Audio P-con, P-ant ON															
SW2	OUT															
2.0~3.0V	Illumination, FM ON															
4.0V~	Illumination, AM ON															
IC4	Audio power amp IC	Amplifier for audio signal to derive for 4channel speakers (50W maximum for each channel)														
IC6	Muting control IC	Control for timing for mute														
IC7	RDS decoder	Decode for RDS signal														
IC8	Reset IC	When detection voltage goes below 3.5V or less Reset IC output change to "L" signal														
IC9	Switching regulator	Power supply for CD mecanism unit														
Q1	Serge detection	When backup voltage become more than 24V output is "L" (momentary power down) / When backup voltage become less than 24V output is "H"														
Q2	Backup detection	When BU voltage supplied output is "L" / When BU voltage not supplied or momentary power down is detected output is "H"														
Q3	ACC detection	When ACC voltage supplied output is "L"														
Q4	SW 5V	When base voltage is "L" Q4 is ON														
Q21,24	AVR	Servo regulator														
Q22	SW	Servo SW														
Q23	IC control	Power supply IC controller														
Q41	SW	Switching regulator control SW														
Q101	Buffer amp	Composite signal buffer														
Q151	DSI driver	When base voltage level is "L" DSI LED is light up / When base voltage level is "H" DSI LED turns off / When panel assy is pull off, cut off the supply to panel 5V AVR.														
Q201	Buffer amp	Noise buffer amp														

## COMPONENTS DESCRIPTION

Ref. No.	Application / Function	Operation / Condition / Compatibility
Q252	For surge measure of audio power IC	When base voltage to "L", for control to power IC function (STAND BY)
Q350	Pre & NF mute SW	When base voltage to "L", drive to pre & NF mute SW (Q351)
Q351	Pre mute SW	When base voltage to "H", muting to the pre Lch or NF Lch line
Q352	Pre mute SW	When base voltage to "H", muting to the pre Rch or NF Rch line
Q401	DSI illumination SW	When base voltage to "H", DSI illumination is light up.

### ● CD PLAYER UNIT (X32-5500-00)

Ref. No.	Application / Function	Operation / Condition / Compatibility
IC1	RF amplifier adapted for CD-RW	Generation of RF signal based on the signals from the APC circuit and pickup, and generation of servo error (focusing error and tracking error) signals. Detection of dropout, anti-shock, track crossing and off-track conditions, included gain control function during CD-RW.
IC2	CD signal processor built-in MI-COM	Focusing, tracking, sled and spindle servo processing. Automatic adjustment (focusing, tracking, gain, offset and balance) operations. Digital signal processing (DSP, PLL, sub-codes, CIRC error correction, audio data Interpolation) operations, and Microcomputer function.
IC3	MP3/WMA decoder	
IC4	4CH BTL driver	Focusing coil, tracking coil, spindle motor and sled motor driver, disc loading and eject operation.
IC5	AVR	For SW3.3V AVR
IC6	AVR	For BU3.3V AVR
IC7	AVR	For BU2.5V AVR
IC8	Selector	Serial audio signal selector IC
IC9	AVR	For IC2 (DAC section) 3.3V AVR
Q1,3~7	Level shift	3.3V → 5.0V
Q8	APC	LD power control
Q9,10	SW	Delay to sub beam line (antecedence beam)
D2	Protection diode	IC2 protection (for reset line)
D3	Protection diode	Laser diode protection

## MICROCOMPUTER'S TERMINAL DESCRIPTION

### ● SYSTEM MICROPROCESSOR : 784225GC231A (X25 : IC1)

Pin No.	Pin Name	I/O	Description / Processing Operation
1	TUN SMETER	I	S meter detection input terminal
2	RDS NOISE	I	FM noise detection input terminal
3	LINE MUTE	I	Phone Muting signal input terminal (More than 2.5V : NAVI mute, Less than 1.0V : TEL mute)
4	AVSS	-	GND
5	L RST	O	Reset signal output (for LCD driver) H : Light on display, key scan, L : Light out on display, key reset
6	L CE	O	CE output for LCD driver IC
7	AVREF1	-	BU5.0V
8	L DATAL	I	DATA input terminal from LCD derive IC
9	L DATAS	O	DATA output terminal to LCD driver IC
10	L CLK	O	CLK output terminal to LCD driver IC
11	TDF DET	I	Panel assy detect terminal H : Panel assy come off
12	AUX ON	O	Select for AUX input signal H : AUX, L : Other
13	RDS QUAL	I	RDS decoder QUAL signal input terminal
14	RDS DATA	I	RDS decoder Data signal input terminal
15	PWIC BEEP	O	Beep audio signal output terminal
16	LX DATA S	I	DATA signal input from EXT. unit
17	LX DATA M	O	DATA signal output to EXT. unit
18	LX CLK	I/O	CLK signal input/output to EXT. unit
19	TUN SCL	O	I2C CLK signal output terminal (for front-end)
20	TUN SDA	I/O	I2C DATA signal input/output terminal (for front-end)
21	TUN IFC OUT	I	IFC signal input terminal H : Station detect, L : No detect
22	RDS AFS	O	Time constant select terminal (for noise detect) H : Receiving, L : FM seek, AF search
23	CD SDA	I/O	I2C DATA output terminal (for CD mechanism, electric VR)
24	AUD SDA	O	CLK output terminal (for CD mechanism, electric VR)
25	NC	-	NC
26	LX RST	O	Reset signal output to EXT. unit
27	LX CON	O	Control signal output to EXT. unit H: ON L: OFF
28	LX MUTE	I	Request signal input terminal from EXT. unit L : Mute ON
29	LX REQ M	O	DATA signal output to EXT. unit
30	PWIC SVR	O	SVR control for Audio power IC
31	PWIC STBY	O	STBY control for Audio power IC H : Power IC ON
32	PWIC MUTE	O	Muting control for Audio power IC
33	VSS1	-	GND
34	ACC DET	I	ACC detection input terminal L : ACC detect
35	RESET2	O	Reset output terminal L : Active
36	MUTE	O	Muting signal output terminal
37	BU DET	I	BU detect input terminal L : BU detect
38	PARK SW	I	Packing condition detect terminal H : OFF, L : ON (PARKING)
39	PS2 1	O	Power supply IC control terminal

## MICROCOMPUTER'S TERMINAL DESCRIPTION

Pin No.	Pin Name	I/O	Description / Processing Operation
40	PS2 0	O	Power supply IC control terminal
41	PS1 0	O	Power supply IC control terminal
42	PS1 1	O	Power supply IC control terminal
43	PS1 2	O	Power supply IC control terminal
44	PON 5	O	SW5V/SW14V control output terminal Hi-Z : OFF, L : ON
45	NC	-	NC
46	PON CD	O	MP3 power supply control terminal
47	CD DISC12 SW	I	12cm CD disc eject SW detection input terminal L : 12cm disc
48	CD MUTE R	I	Request for muting signal from CD mechanism L : Mute request
49	NC	-	NC
50	CE MRST	O	Reset signal output to CD mechanism L : Active
51	CD DISC8 SW	I	8cm CD disc eject SW detection input terminal (Not used)
52	CD LOS SW	I	Loading start SW detection input terminal L : Loading start
53	CD MUTE L	I	Request for muting signal from CD mechanism L : Mute request
54	NC	-	NC
55	CD MSTOP	O	Request signal (Mechanism is STOP) output to CD mechanism L : Active
56	CD LOE LIM SW	I	Down SW detection from CD mechanism
57	CD LOEJ	I/O	CD mechanism loading / eject control terminal H : Eject, L : Loading
58	CD MOTOR	O	CD mechanism motor loading control terminal H : Loading, Eject, Brake, L : Play
59	DSI	O	Disc guide illumination control terminal H : DSI ON
60	RESET	I	Reset input terminal L : Active
61	NC	-	NC
62	KEY REQ	I	Request for communication to slave unit L : Key input mode
63	RDS CLK	I	RDS decoder CLK input terminal
64	LX REQ S	I	DATA signal input from EXT. unit
65	REMO	I	Remote control signal input terminal
66	NC	-	NC
67	VSS0	-	GND
68	VDD1	-	BU5.0V
69	X2	-	Main clock input terminal (10MHz)
70	X1	-	Main clock input terminal (10MHz)
71	TEST	-	GND
72	XT2	-	Sub clock input terminal (32.768kHz)
73	XT1	-	Sub clock input terminal (32.768kHz)
74	VDD0	-	BU5.0V
75	AVDD	-	BU5.0V
76~78	TYPE0~2	I	Destination input terminal DXM6540 (SEL0 : Lo, SEL1 : Lo)
79,80	TUN TYPE0,1	I	Electric volume condition setting terminal

## MICROCOMPUTER'S TERMINAL DESCRIPTION

### ● CD SIGNAL MICROPROCESSOR : UPD63712GC (X32 : IC2)

Pin No.	Pin Name	I/O	Description / Processing Operation
1	VREFL	I	Reference voltage input terminal
2	AVSS	-	GND for ADC
3	AVCC	-	Power supply for ADC (BU3.3V)
4	NC	O	NC (OPEN)
5	$\overline{20RST}$	O	Reset control output terminal (for decoder) L : RESET, H : NORMAL
6	20ACK	I	Acknowledge signal input terminal (for decoder)
7	20STBY	O	Standby control (for decoder) H : STAND BY, L : NORMAL
8,9	NC	O	NC (OPEN)
10	20INT	I	Interrupt signal input terminal (for decoder)
11	FOGUP	I	Interrupt for focus gain up control signal H : Focus gain UP, L : NORMAL
12	LZM	I	0 bit muting detect (Lch) L : MUTE OFF, H : MUTE ON
13	RZM	I	0 bit muting detect (Rch) L : MUTE OFF, H : MUTE ON
14,15	NC	O	NC
16	$\overline{20CS}$	O	Chip select signal output terminal (for decoder)
17	$\overline{20LP}$	O	Latch pulses signal output terminal (for decoder)
18	20TXD0	I/O	Serial data signal output terminal (for decoder)
19	20RXD0	I	Serial data signal input terminal (for decoder)
20	20SCLK0	O	Serial data clock output terminal (for decoder)
21	DSPTXD1	O	Serial data signal output terminal (for DSP)
22	DSPRXD1	I	Serial data signal input terminal (for DSP)
23	DSPSCLK1	O	Serial data clock output terminal (for DSP)
24	AM0	I	Select for ROM mode H : NORMAL, L : External ROM mode
25	DVCC	-	BU3.3V
26	X2	O	Oscillator (16MHz)
27	DVSS	-	GND
28	X1	I	Oscillator (16MHz)
29	AM1	I	BU3.3V
30	$\overline{RESET}$	I	Reset terminal L : RESET, H : NORMAL
31,32	NC	O	NC
33,34	EMU0,1	O	NC
35	$\overline{DSPSTB}$	O	Data strobe signal output terminal
36	DSPA0	O	Command, parameter select signal H : Parameter, L : Command
37	$\overline{DSPRST}$	O	Reset control output terminal (for DSP)
38	DSPINT	I	Interrupt signal input terminal (for DSP) H : Interrupt
39	/DAC RESET	O	Reset signal output terminal (for DSP) L : RESET, H : NORMAL
40	SEARCH	O	Search condition output terminal H : Search, L : NORMAL
41	LOE/LIM_SW	I	SLT SW detect input terminal H : Inside
42~45	NC	O	NC (OPEN)
46	PONE5	O	+5V AVR control terminal (for VIDEO) H : Power ON
47	PONE2.5	O	+2.5V AVR control terminal (for VIDEO) H : Power ON



## MICROCOMPUTER'S TERMINAL DESCRIPTION

Pin No.	Pin Name	I/O	Description / Processing Operation
48,49	NC	O	NC (OPEN)
50	FLAGIN	I	C2 error detect terminal L : Correction OK, H : Correction NG
51-60	NC	O	NC (OPEN)
61	/DAC PD	O	Reset control output terminal (for DAC) L : RESET, H : NORMAL
62	DVSS	-	GND
63	$\overline{\text{NMI}}$	I	Request for non maskable interrupt signal input terminal
64	DVCC	-	+VCC
65	DAC MUTE	O	Muting control output terminal (for DAC) H : MUTE, L : MUTE OFF
66	DAC PON	O	Audio power supply (for DXM-6550) H : POWER ON
67	PONA5	O	+5V Audio power supply (for DXM-6550) H : POWER ON
68	$\overline{\text{ESRST}}$	O	Reset signal output terminal (for ES3890) L : RESET, H : NORMAL
69	VMUTE	O	Video mute control terminal H : MUTE ON, L : MUTE OFF
70	NC	O	NC (OPEN)
71	SELINT	O	Video/Audio select output terminal H : NORMAL, L : Interrupt
72	ASEL0	O	Audio signal output select control terminal 1 00 : STEREO, 01 : Lch
73	ASEL1	O	Audio signal output select control terminal 1 10 : Rch, 11 : Not function
74	$\overline{\text{NT/PAL}}$	O	NTSC/PAL select terminal L : NTSC, H : PAL
75	DATASEL	O	20F/ES3890 output select H : 20F, L : ES3890
76,77	NC	O	NC (OPEN)
78	NC (BOOT)	I	Flash memory writing terminal L : Writing, H : NORMAL
79,80	NC	O	NC (OPEN)
81	POND3.3	O	D3.3V power ON control terminal H : POWER ON
82	$\overline{\text{MUTEL}}$	O	Audio muting control terminal (Lch)
83	$\overline{\text{MUTER}}$	O	Audio muting control terminal (Rch)
84	SDA	I/O	I2C data (for system microprocessor)
85	SCL	I/O	I2C clock (for system microprocessor)
86	MSTOP	I	Interrupt signal for stand-by mode L : STOP, H : STOP cancellation
87	NC	O	NC
88	$\overline{\text{DMUTE}}$	O	Driver muting control L : MUTE ON, H : MUTE OFF
89	DVCC	-	+VCC
90	NC	O	NC (OPEN)
91	DVSS	-	GND
92,93	NC	I	NC
94	MSEL	I	Memory capacity select input terminal H : Capacity Down, L : Capacity UP
95	VCDSEL	I	NC
96	ASEL	I	Audio signal output polarity selector H : Reversal output, L : Noninversion output
97	CHSEL	I	Changer detect input terminal H : Changer, L : Normal
98	SEL0	I	Destination input terminal DXM6540 (SEL0 : Lo, SEL1 : Lo)
99	SEL1	I	Destination input terminal DXM6540 (SEL0 : Lo, SEL1 : Lo)
100	VREFH	I	ADC reference power supply (BU3.3V)

# TEST MODE

## 1. How to enter test mode

While holding the FM key and PRESET 6 keys, reset the unit.

All display segments light up when the test mode is entered.

## 2. How to exit from test mode

Reset the unit.

Turning ACC off, power off, momentary power down or panel detaching does not terminate the test mode.

## 3. Initial status in the test mode

- Sources : ALL OFF (STAND BY)
- Display : All segments were lit.
- Volume : -10dB (displayed as "30")
- Loudness : OFF
- CRSC : OFF regardless of the presence of switching function.
- Aux : ON

## 4. TUNER function

### • Forced switching of K3I

Each press of the Preset 6 key in Tuner mode should switch K3I from AUTO→Forced Wide→Forced Middle→Forced Narrow→AUTO. The initial status is AUTO and the display shows these modes as follows.

- AUTO : A
- Forced Wide : M
- Forced Middle : M
- Forced Narrow : N

### • RDS check

PCON is power off when RDS data ("RDS test") received for TUNER mode.

## 5. CD function

### • Test mode specifications of the CD receiver

- Each press of the Track Up key jumps to the following track numbers :  
No. 9→No. 15→No. 10→No. 11→No. 12→No. 13→No. 22→No. 14→No. 9 (The cycle restarts from here.)
- Each press of the Track Down key jumps to the previous track number to the track being played.
- When the number of total tracks of disc is nine or less, unit playback from a track 1.
- When the media to CD-DA, unit playback from track No. 28 by key operation of preset 1 key.

## 6. AUDIO function

### • Audio-related specifications

- A short press of the Q key initiates the audio adjustment mode.
- Pressing the OPEN/CLOSE key on the remote controller initiates the audio adjustment mode.
- Continuous holding of a remote control key is inhibited.
- Bass, Middle and Treble are adjusted in 3 steps of -8 / 0 / +8 with the Track Up/down keys (default is 0).
- Balance is adjusted in 3 steps of Left L15 / 0 / R15 Max with the Track Up/down keys (default is 0).
- Loudness : OFF

## 7. MENU function

### • Menu-related specifications

- A short press of the PLAY/PAUSE key initiates the Menu mode.
- Pressing the DNPP key on the remote initiates the Menu mode.
- Continuous holding of a remote control key is inhibited.

## 8. OTHER

### • Special display when the display is all on

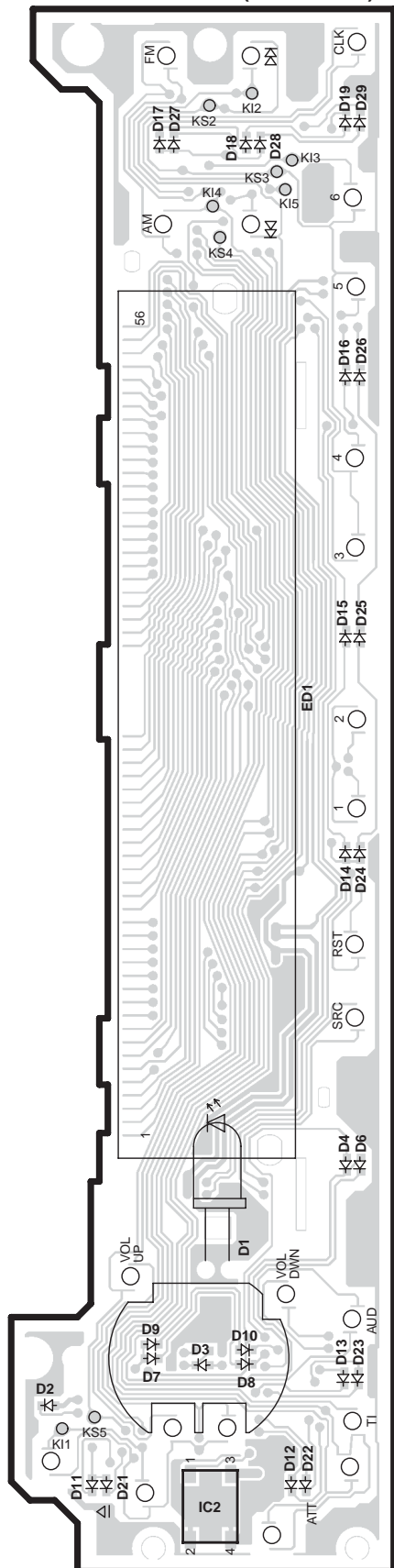
Pressing the Preset keys while the power is ALL OFF displays the following information.

[PRESET 1]	Version display (Month/Day/Hour/Minute)
[PRESET 2]	ALL segment light up for FL display
[PRESET 3]	Short press : Display CD operation time. Long press/hold : Clear CD operation time
[PRESET 5]	Short press : Display CD ejection count. Long press/hold : Clear CD ejection count.
[FM]	ROM correction version. If not mounting ROM correction chip set display shows ROM No____

# PC BOARD (COMPONENT SIDE VIEW)

## SWITCH UNIT

X16-264x-xx/2652-xx (J74-1561-02)



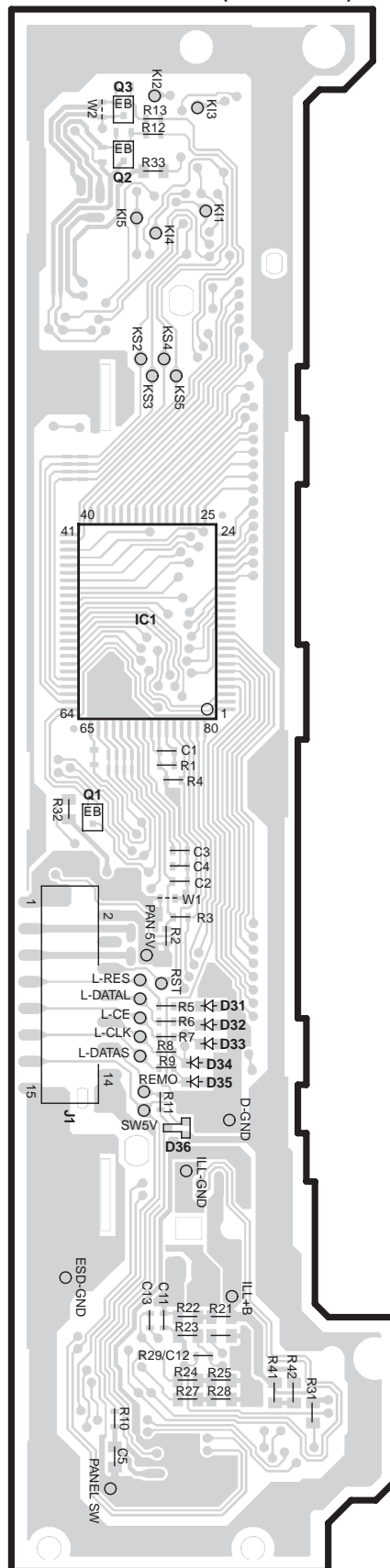
X16-264x-xx/2652-xx

Ref. No.	Address
IC2	7A

# (FOIL SIDE VIEW)

## SWITCH UNIT

X16-264x-xx/2652-xx (J74-1561-02)



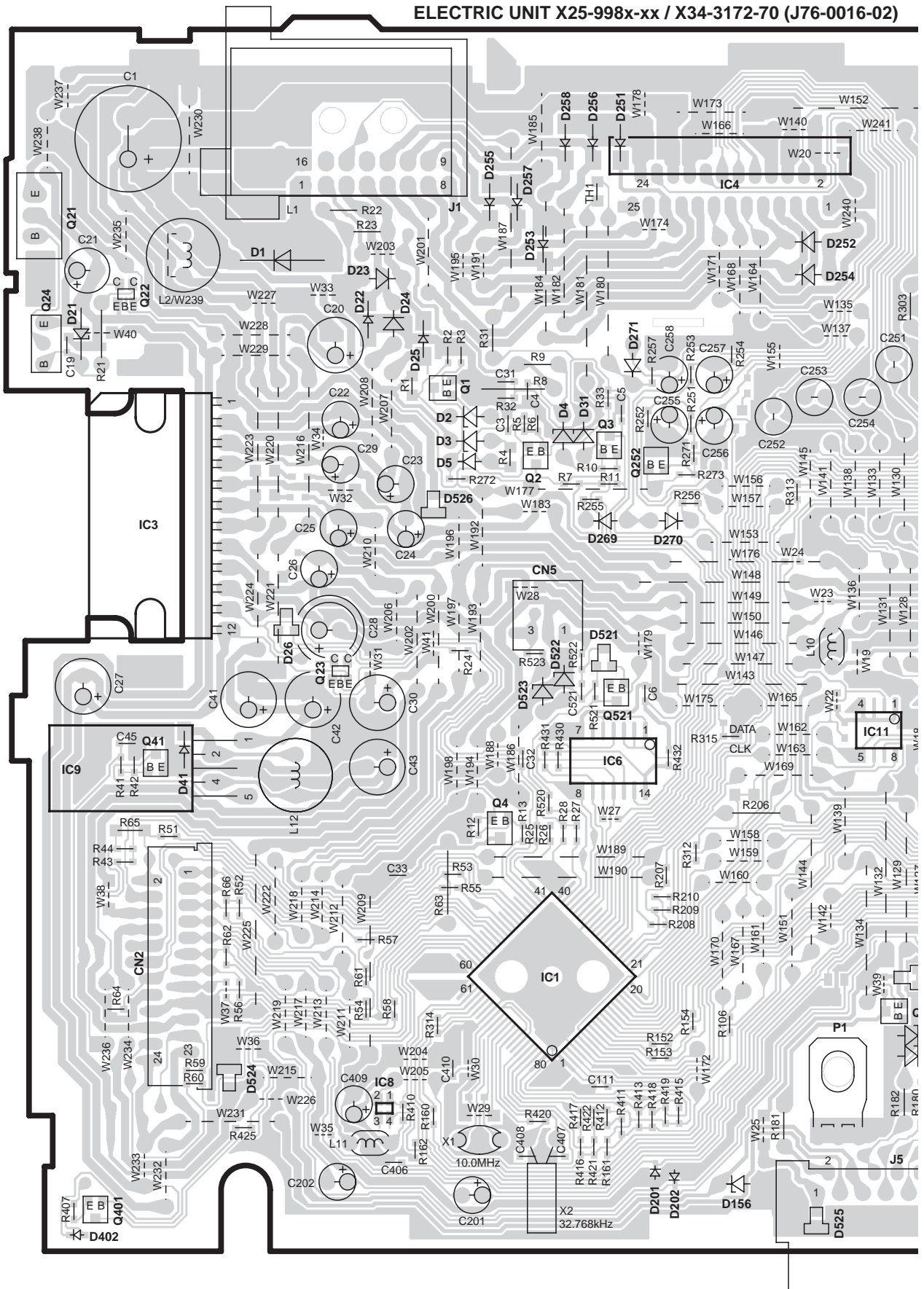
X16-264x-xx/2652-xx

Ref. No.	Address
IC1	4C
Q1	4C
Q2	2C
Q3	2C

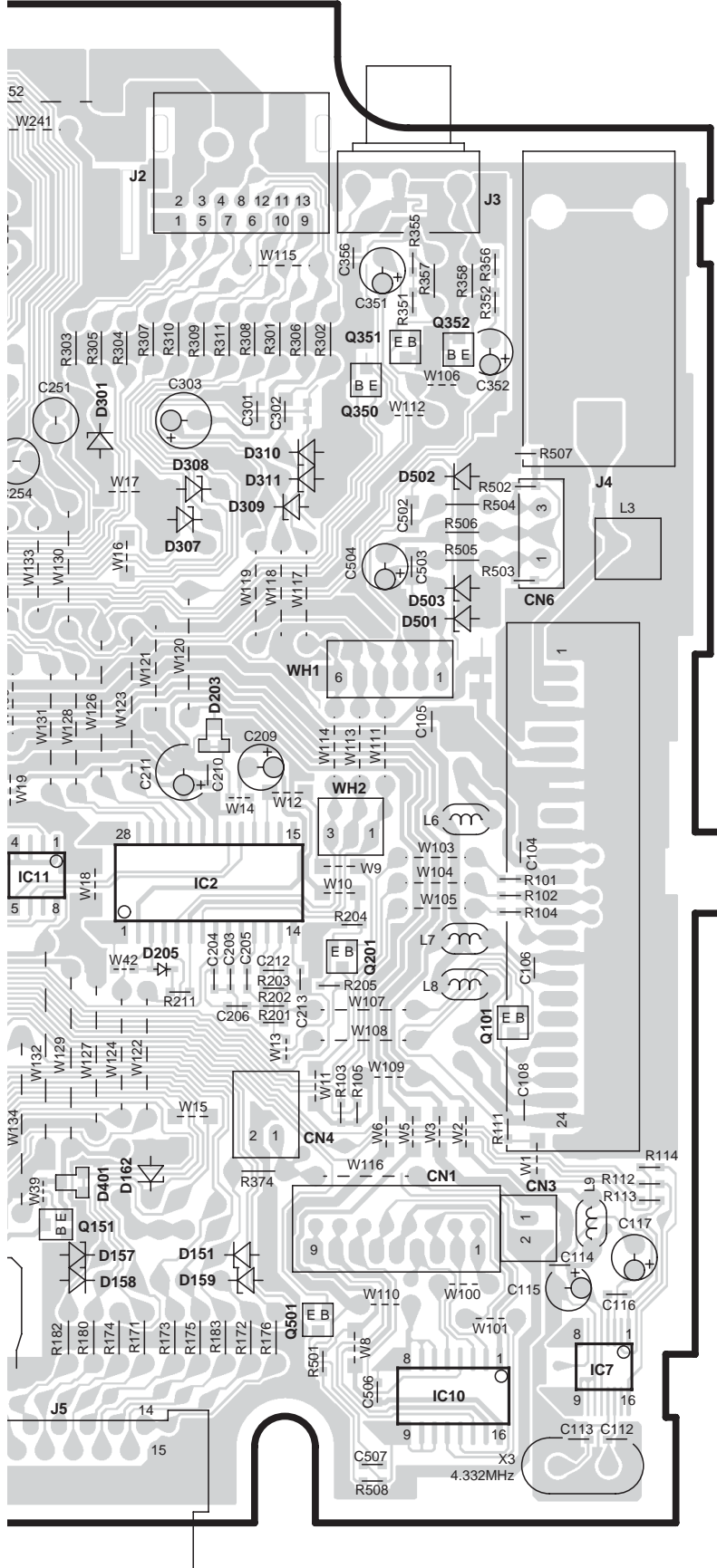
Refer to the schematic diagram for the values of resistors and capacitors.

# PC BOARD (FOIL SIDE VIEW)

ELECTRIC UNIT X25-998x-xx / X34-3172-70 (J76-0016-02)



6-02)



X25-998x-xx

X34-3172-70

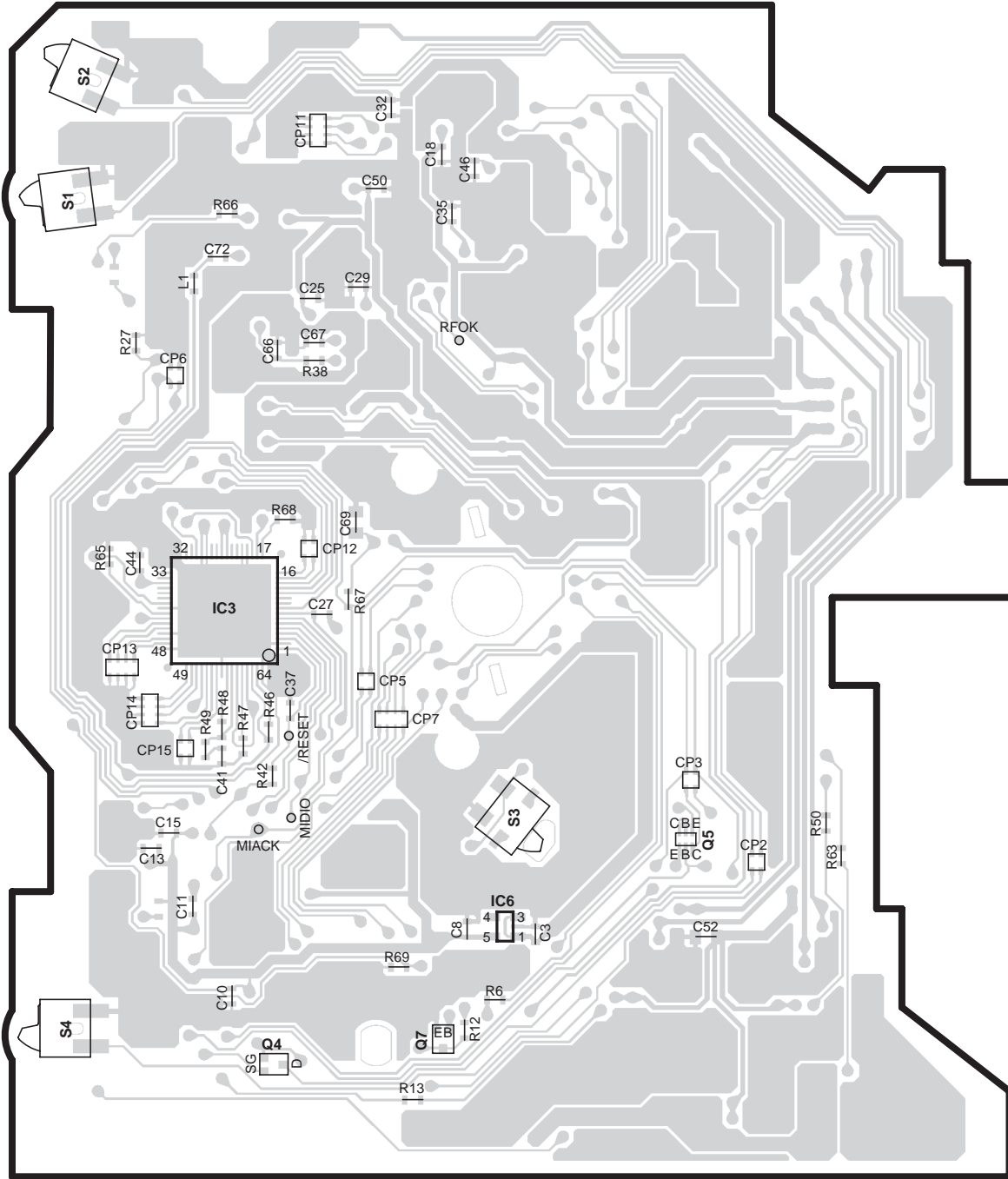
Ref. No.	Address
IC1	6I
IC2	5K
IC3	4G
IC4	2J
IC6	5I
IC7	6M
IC8	6H
IC9	5G
Q1	3H
Q2	3I
Q3	3I
Q4	5I
Q21	2G
Q22	3G
Q23	4H
Q24	3F
Q41	5G
Q101	5L
Q151	6K
Q201	5L
Q252	3I
Q350	3L
Q351	3L
Q352	3L
Q401	7G

Refer to the schematic diagram for the values of resistors and capacitors.



# PC BOARD (COMPONENT SIDE VIEW)

CD PLAYER UNIT X32-5500-00 (J74-1552-12)



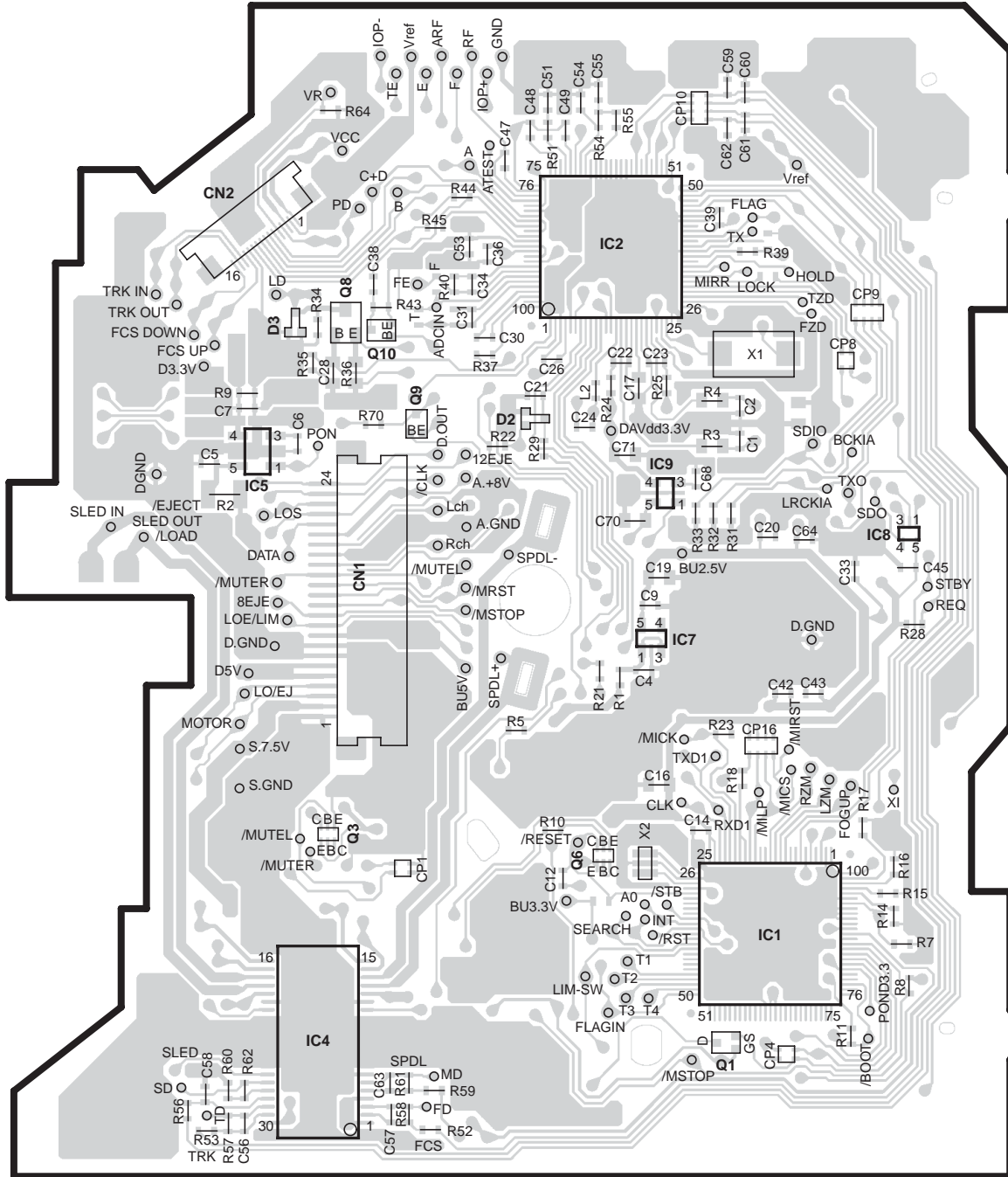
X32-5500-00

Ref. No.	Address
IC3	4Q
IC6	5R
Q4	5Q
Q5	5S
Q7	5R

Refer to the schematic diagram for the values of resistors and capacitors.

## PC BOARD (FOIL SIDE VIEW)

## CD PLAYER UNIT X32-5500-00 (J74-1552-12)



## X32-5500-00

Ref. No.	Address	Ref. No.	Address
IC1	5X	Q1	5X
IC2	2W	Q3	5V
IC4	5V	Q6	5W
IC5	3V	Q8	2V
IC7	4W	Q9	3V
IC8	3X	Q10	3V
IC9	3W		

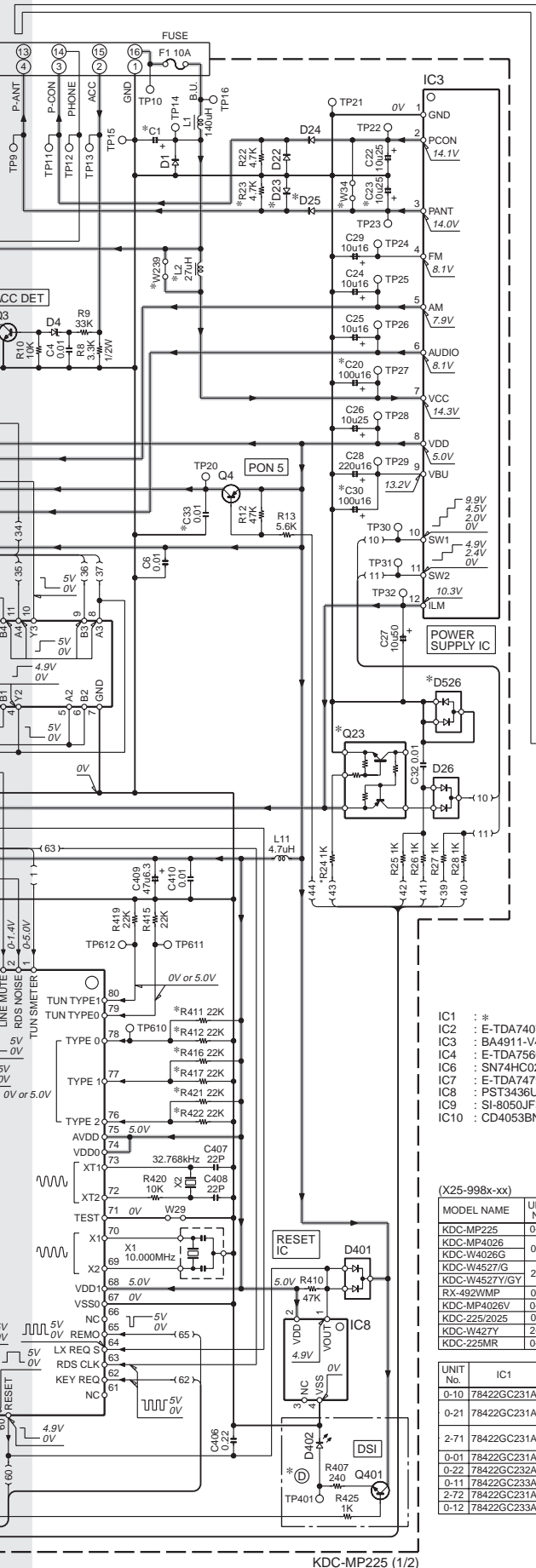
Refer to the schematic diagram for the values of resistors and capacitors.



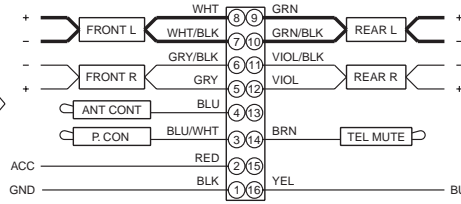




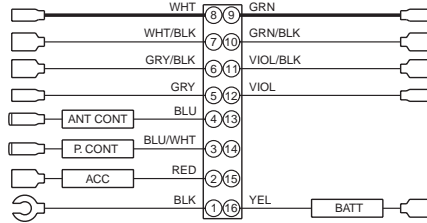
KDC-MP225,MP4026/G  
KDC-W4527/G/GY/Y,W427Y



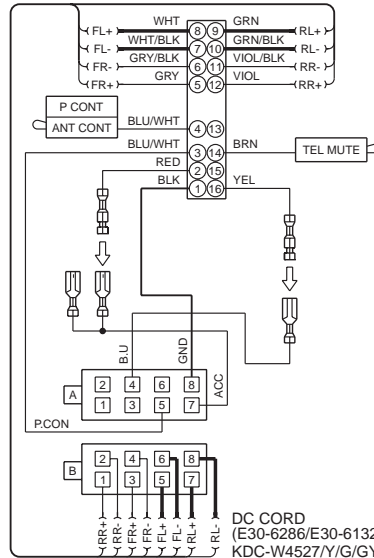
KDC-MP225 (1/2)



DC CORD (E30-6027) : RX-492WMP



DC CORD (E30-6322/E30-6323)  
KDC-W427Y/MP225  
KDC-225/2025/225MR  
KDC-MP4026/G/V



DC CORD (E30-6286/E30-6132)  
KDC-W4527Y/G/GY

**CAUTION:** For continued safety, replace safety critical components only with manufacturer's recommended parts (refer to parts list).

⚠ Indicates safety critical components. To reduce the risk of electric shock, leakage-current or resistance measurements shall be carried out (exposed parts are acceptably insulated from the supply circuit) before the appliance is returned to the customer.

- DC voltages are as measured with a high impedance volt-meter. Values may vary slightly due to variations between individual instruments or/and units.

IC1	: *	Q1-3,41,401	D1	: S2V60*A	D151,157-159,162,301,
IC2	: E-TDA7407D	Q2	: 2SC4081	D2-4,309,310,501,502	307,308,311,503,522,523
IC3	: BA4911-V4	Q4	: 2SA1036K		: MAZ4068N-M
IC4	: E-TDA7560	Q21	: 2SB1565(E,F)	D5,269-271	: 1SS133
IC6	: SN74HC02NSR	Q22,23	: UMC2N	D21	: MAZ4082N-L
IC7	: E-TDA7479AD	Q24	: 2SD1858	D22,25,251,253,255-258	D201,202 : ED26_2B
IC8	: PST3436UL-E	Q101,201,351,352	Q24	: D1F60-5063	D205 : 1SS400
IC9	: SH-6050JF3MF	Q151	: DTC143TUA	D23,24,252,254	D402 : B30-1567-05
IC10	: CD4053BNSR	Q151	: DTA114YUA		D524-526 : DA204U
		Q252	: 2SA1576A	D26,203,401,521	
		Q350	: DTA124EUA		
		Q501	: DTC144EUA	D31	: MAZ4047-M
		Q521	: DTA144EUA	D41	: SFPB-54VNF

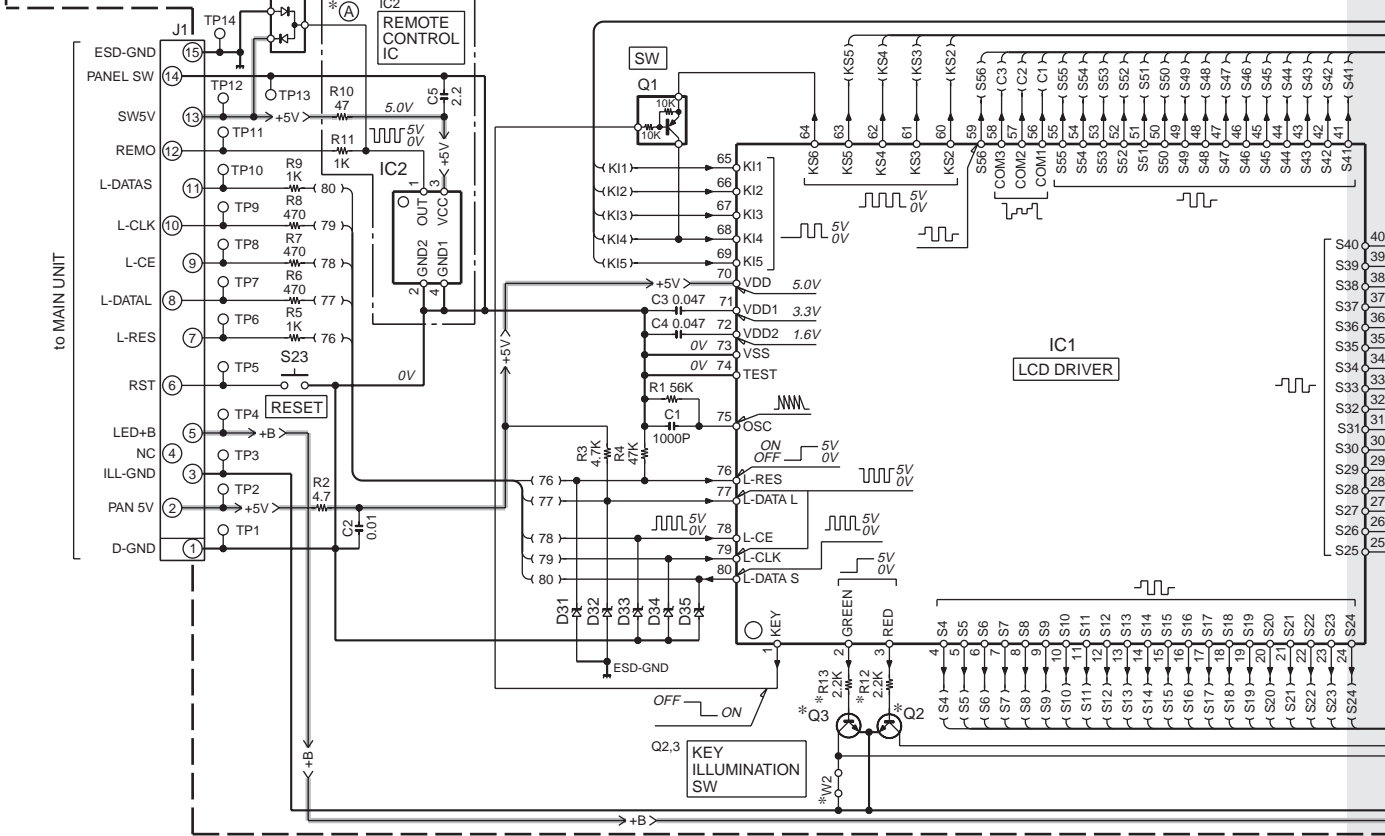
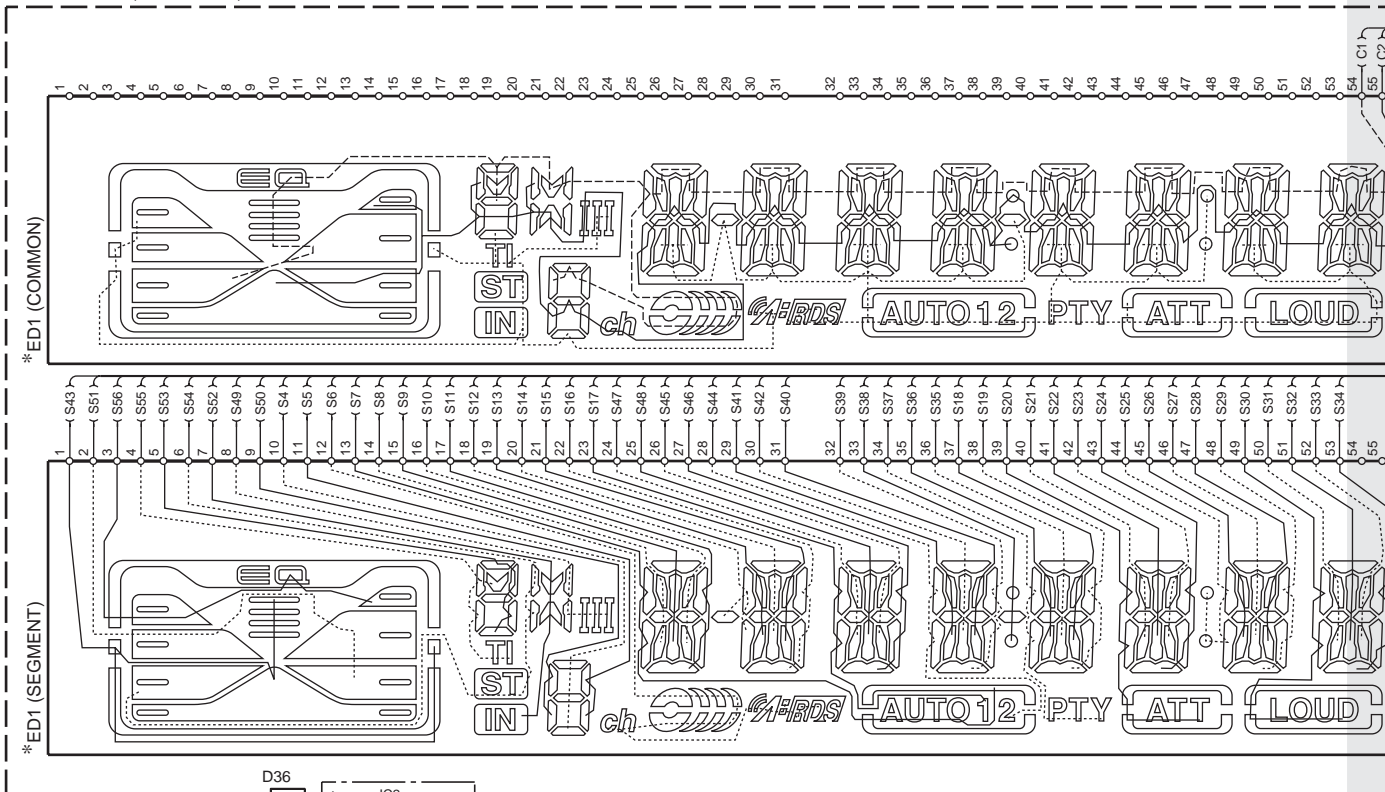
— SIGNAL LINE  
— GND LINE  
— +B LINE

(X25-998x-xx)

MODEL NAME	UNIT No.	(A)	(B)	(C)	(D)	(E)	(F)	(G)	(H)	A1	C1	C20	C23	C30	C33	CN3	CN4	D23_25	D151_159	D156-158	D201_202	D205_524-526	
KDC-MP225	0-10	NO	NO	YES	YES	NO	YES	YES	NO	YES	X86-3760-11	2200u16	NO	NO	100u16	NO	NO	NO	NO	YES	NO	NO	NO
KDC-MP4026	0-21	YES	NO	YES	YES	NO	YES	YES	NO	YES	X86-3760-11	2200u16	NO	YES	100u16	NO	NO	NO	NO	YES	YES	NO	NO
KDC-W4527/G	2-71	YES	YES	YES	YES	NO	YES	YES	NO	YES	X86-3762-70	2200u16	NO	NO	100u16	NO	NO	YES	YES	YES	YES	NO	NO
KDC-W4527Y/GY	2-71	YES	YES	YES	YES	NO	YES	YES	NO	YES	X86-3762-70	2200u16	NO	NO	100u16	NO	NO	YES	YES	YES	YES	NO	NO
RX-492WMP	0-01	NO	NO	YES	NO	NO	YES	YES	NO	YES	X86-3760-01	2200u16	NO	YES	100u16	YES	NO	NO	YES	NO	NO	NO	NO
KDC-MP4026V	0-22	YES	NO	YES	YES	YES	YES	YES	YES	YES	X86-3760-11	2200u16	NO	YES	100u16	NO	NO	NO	YES	YES	YES	YES	YES
KDC-225/2025	0-11	NO	NO	NO	YES	NO	YES	YES	NO	YES	X86-3760-11	3300u16	YES	NO	220u16	NO	NO	NO	NO	YES	YES	YES	YES
KDC-W427Y	2-72	YES	NO	YES	YES	NO	NO	YES	NO	YES	X86-3762-70	2200u16	NO	NO	100u16	NO	NO	NO	NO	YES	NO	NO	NO
KDC-225MR	0-12	NO	NO	NO	YES	NO	YES	YES	NO	YES	X86-3760-11	3300u16	YES	NO	220u16	NO	YES	NO	NO	YES	YES	YES	NO

UNIT No.	IC1	J5	L2	Q23	Q151	R23	R24_411	R57_64	R172_183	R206	R211	R374	R412	R416	R417	R421	R422	W34	W39	W111_113,114	W239
0-10	78422GC231A	E58-0992	NO	NO	YES	NO	NO	NO	YES	NO	NO	YES	YES	NO	YES	NO	YES	NO	NO	YES	YES
0-21	78422GC231A	E58-0992	NO	YES	YES	YES	NO	YES	NO	NO	NO	NO	NO	NO	NO	NO	NO	NO	NO	YES	YES
2-71	78422GC231A	E58-0992	NO	NO	YES	YES	NO	NO	YES	YES	NO	YES	YES	YES	NO	NO	YES	YES	NO	YES	YES
0-01	78422GC231A	E58-0993	NO	YES	YES	YES	YES	YES	YES	NO	NO	NO	NO	YES	NO	NO	NO	NO	NO	YES	YES
0-22	78422GC232A	E58-0992	NO	YES	YES	YES	YES	YES	YES	NO	NO	NO	NO	NO	NO	NO	NO	NO	NO	NO	YES
0-11	78422GC233A	E58-0992	YES	NO	YES	NO	NO	NO	YES	NO	NO	NO	NO	YES	NO	NO	YES	NO	NO	NO	NO
2-72	78422GC231A	E58-0992	NO	YES	YES	NO	NO	NO	NO	NO	NO	NO	NO	YES	YES	NO	YES	NO	NO	NO	NO
0-12	78422GC233A	E58-0992	YES	NO	YES	NO	NO	NO	YES	NO	NO	NO	YES	NO	YES	NO	YES	NO	NO	NO	NO

SWITCH UNIT (X16-26xx-xx)



**CAUTION :** For continued safety, replace safety critical components only with manufacturer's recommended parts (refer to parts list).  
 ⚠ Indicates safety critical components. To reduce the risk of electric shock, leakage-current or resistance measurements shall be carried out (exposed parts are acceptably insulated from the supply circuit) before the appliance is returned to the customer.

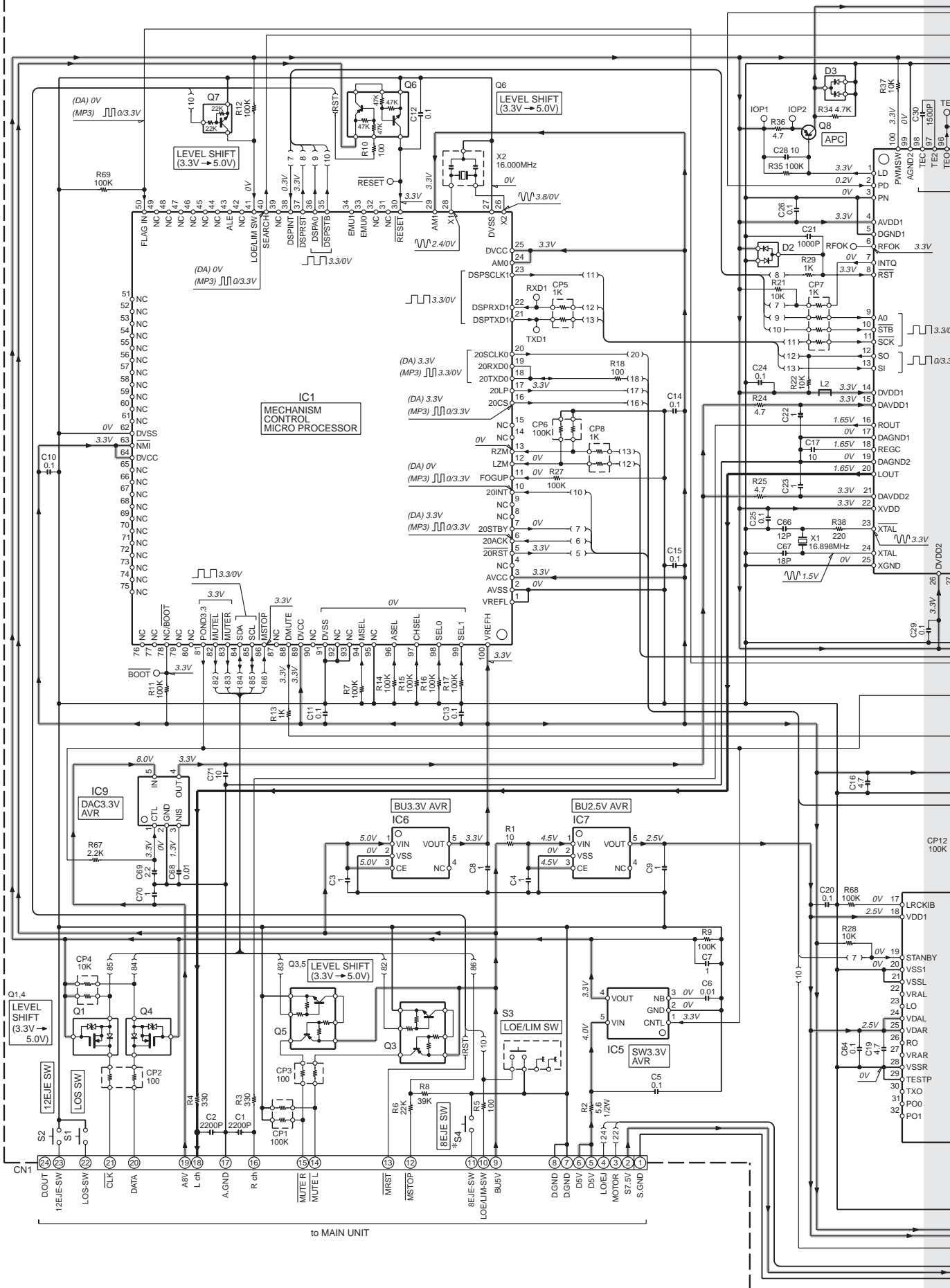
- DC voltages are as measured with a high impedance voltmeter. Values may vary slightly due to variations between individual instruments or/and units.



# KDC-MP225,MP4026/G KDC-W4527/G/GY/Y,W427Y

CD PLAYER UNIT (X32-5500-00/01)

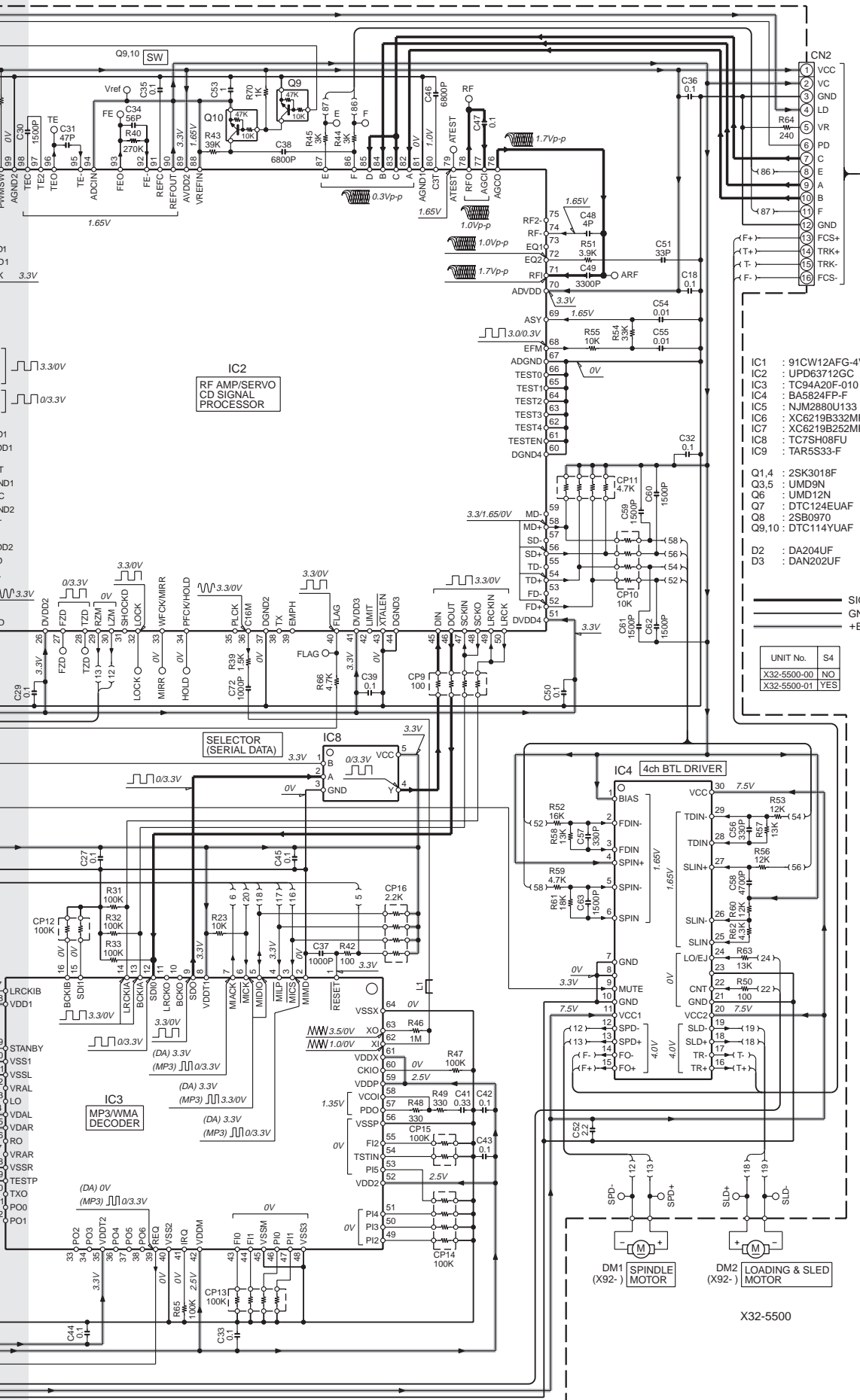
1  
2  
3  
4  
5  
6  
7



to MAIN UNIT



AE AF AG AH AI  
**KDC-MP225,MP4026/G**  
**KDC-W4527/G/GY/Y,W427Y**



- IC1 : 91CW12AFG-4VFB
  - IC2 : UPD63712GC
  - IC3 : TC94A20F-010
  - IC4 : BA5824FP-F
  - IC5 : NJM2880U133
  - IC6 : XC6219B332MR
  - IC7 : XC6219B252MR
  - IC8 : TC7SH08FU
  - IC9 : TAR5S33-F
- Q1,4 : 2SK3018F
  - Q3,5 : UMD9N
  - Q6 : UMD12N
  - Q7 : DTC124EUAF
  - Q8 : 2SB0970
  - Q9,10 : DTC114YUAF
- D2 : DA204UF
  - D3 : DAN202UF

SIGNAL LINE  
 GND LINE  
 +B LINE

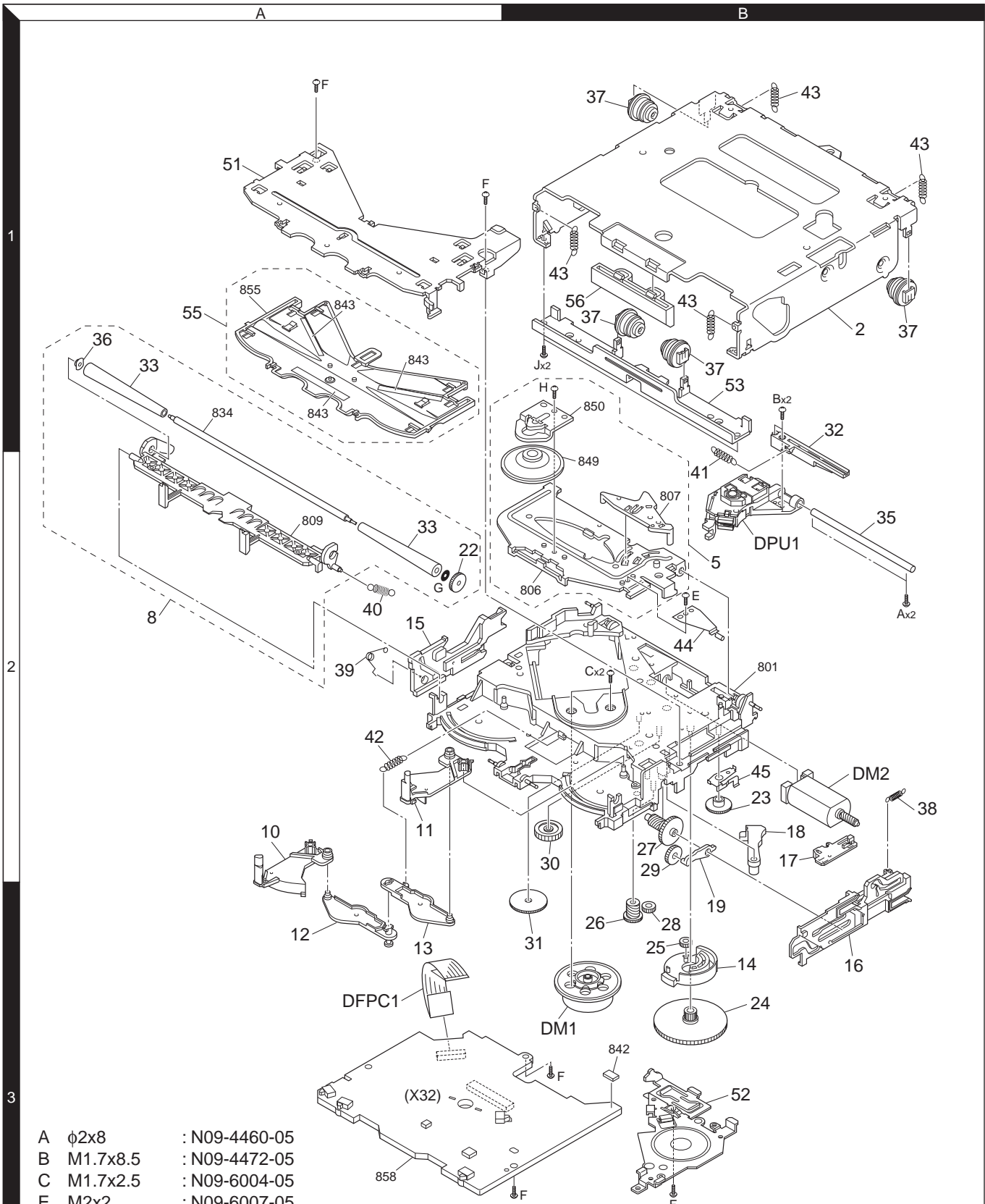
UNIT No.	S4
X32-5500-00	NO
X32-5500-01	YES

**CAUTION :** For continued safety, replace safety critical components only with manufacturer's recommended parts (refer to parts list).

⚠ Indicates safety critical components. To reduce the risk of electric shock, leakage-current or resistance measurements shall be carried out (exposed parts are acceptably insulated from the supply circuit) before the appliance is returned to the customer.

- DC voltages are as measured with a high impedance voltmeter. Values may vary slightly due to variations between individual instruments or/and units.

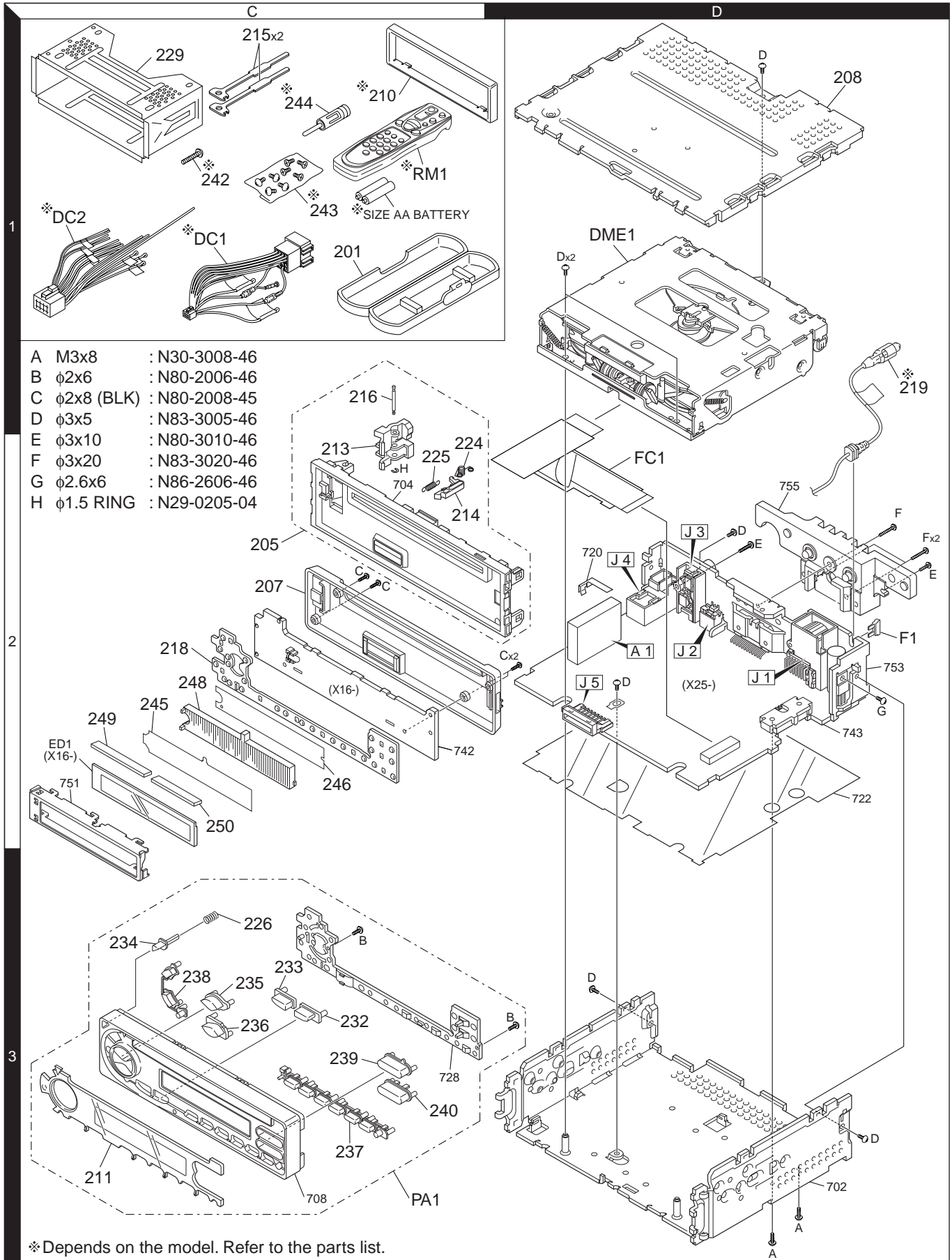
# EXPLODED VIEW (CD MECHANISM)



A	φ2x8	: N09-4460-05
B	M1.7x8.5	: N09-4472-05
C	M1.7x2.5	: N09-6004-05
E	M2x2	: N09-6007-05
F	φ2x6(BLK)	: N09-6051-05
G	1.6 WASHER	: N19-2163-04
H	M2x2	: N39-2020-46
J	φ2x3.5	: N09-6108-05

\* CD MECHANISM OPERATION DESCRIPTION is not in this service manual.  
Please refer to service manual for X92-4450-0X (B51-7889-00)

# EXPLODED VIEW (UNIT)





# PARTS LIST

\* New parts

Parts without **Parts No.** are not supplied.

Les articles non mentionnés dans le **Parts No.** ne sont pas fournis.

Teile ohne **Parts No.** werden nicht geliefert.

Ref. No.	A d d	N e w	Parts No.	Description	Desti- nation	Ref. No.	A d d	N e w	Parts No.	Description	Desti- nation
<b>KDC-MP225, MP4026/G, W4527/G/GY/Y, W427Y</b>											
201	1C		A02-1486-13	PLASTIC CABINET ASSY		224	1C		G01-2987-04	TORSION COIL SPRING	
205	2C		A22-2863-03	SUB PANEL ASSY		225	1C		G01-3096-04	EXTENSION SPRING	
207	2C		A46-1796-01	REAR COVER		226	3C		G01-3149-04	COMPRESSION SPRING	
208	1D		A52-0804-02	TOP PLATE		-			H10-4856-12	POLYSTYRENE FOAMED FIXTURE	EE1E2K
PA1	3C	*	A64-3170-02	PANEL ASSY	K	-			H10-4856-12	POLYSTYRENE FOAMED FIXTURE	MM1
PA1	3C	*	A64-3172-02	PANEL ASSY	EE3	-			H10-4857-12	POLYSTYRENE FOAMED FIXTURE	E3E4
PA1	3C	*	A64-3173-02	PANEL ASSY	E1E4	-			H25-0329-04	PROTECTION BAG (280X450X0.03)	EE1E2K
PA1	3C	*	A64-3174-02	PANEL ASSY	M	-			H25-0329-04	PROTECTION BAG (280X450X0.03)	MM1
PA1	3C	*	A64-3175-02	PANEL ASSY	M1	-			H25-0337-04	PROTECTION BAG (180X300X0.03)	
PA1	3C	*	A64-3175-02	PANEL ASSY	E2	-			H25-1111-04	PROTECTION BAG (280X450X0.03)	E3E4
PA1	3C	*	A64-3336-02	PANEL ASSY		-		*	H54-2993-03	ITEM CARTON CASE	K
RM1	1C		A70-2040-05	REMOTE CONTROLLER ASSY (RC-505)	KMM1	-		*	H54-2996-03	ITEM CARTON CASE	E
-			B46-0100-50	WARRANTY CARD	E3E4KM	-		*	H54-2998-03	ITEM CARTON CASE	E1
-			B46-0100-50	WARRANTY CARD	M1	-		*	H54-2999-03	ITEM CARTON CASE	M
-			B46-0182-14	ID CARD	E3E4	-		*	H54-3000-03	ITEM CARTON CASE	M1
-			B46-0606-04	ID CARD	EE1E2K	-		*	H54-3068-03	ITEM CARTON CASE	E3
-			B46-0606-04	ID CARD	MM1	-		*	H54-3069-03	ITEM CARTON CASE	E4
-			B46-0606-04	ID CARD	MM1	-		*	H54-3141-03	ITEM CARTON CASE	E2
-			B46-0653-03	USER CARD	K	229	1C		J21-9716-03	MOUNTING HARDWARE ASSY	
-			B58-1365-04	CAUTION CARD		232	3C		K24-4098-04	KNOB (SRC)	
-		*	B64-2681-00	INST. MANUAL (ENG,FRE,SPA)	K	233	3C		K24-4099-04	KNOB (Q-AUDIO)	
-		*	B64-2682-00	INST. MANUAL (ENG,RUS,POL)	EE1E2	234	3C		K24-4101-04	KNOB (RELEASE)	
-		*	B64-2683-00	INST. MANUAL (CZE,HUN,SLO)	EE1E2	235	3C		K24-4096-04	KNOB (VOL. UP)	KMM1
-		*	B64-2684-00	INST. MANUAL (CRO,SWE,FIN)	EE1E2	235	3C		K24-4124-04	KNOB (VOL. UP)	EE1E2
-		*	B64-2685-00	INST. MANUAL (ENG,T-CHI)	MM1	236	3C		K24-4124-04	KNOB (VOL. UP)	E3E4
-		*	B64-2686-00	INST. MANUAL (ARABIC)	MM1	236	3C		K24-4097-04	KNOB (VOL. DOWN)	KMM1
-		*	B64-2691-00	INST. MANUAL (ENGLISH)	E3E4	236	3C		K24-4125-04	KNOB (VOL. DOWN)	EE1E2
-		*	B64-2692-00	INST. MANUAL (FRE,GER,DUT)	E3E4	236	3C		K24-4125-04	KNOB (VOL. DOWN)	E3E4
-		*	B64-2693-00	INST. MANUAL (ITA,SPA,POR)	E3E4	237	3C		K25-1589-03	KNOB (PRESET1-6)	
210	1C		B07-3001-02	ESCUTCHEON	EE1E2	238	3C		K25-1590-03	KNOB (EJECT/ATT)	
210	1C		B07-3001-02	ESCUTCHEON	E3E4M1	239	3C		K25-1613-03	KNOB (FM/AM)	
210	1C		B07-3098-02	ESCUTCHEON	KM	240	3C		K25-1614-03	KNOB (SEEK)	
211	3C	*	B10-4464-01	FRONT GLASS	K	242	1C		N84-4016-46	PAN HEAD TAPTITE SCREW	KMM1
211	3C	*	B10-4466-01	FRONT GLASS	EE3	243	1C		N99-1719-05	SCREW SET	KMM1
211	3C	*	B10-4467-01	FRONT GLASS	E1E4	A	3D		N30-3008-46	PAN HEAD MACHINE SCREW	
211	3C	*	B10-4468-01	FRONT GLASS	M	B	3C		N80-2006-46	PAN HEAD TAPTITE SCREW	
211	3C	*	B10-4469-01	FRONT GLASS	M1	C	2C		N80-2008-45	PAN HEAD TAPTITE SCREW	
211	3C	*	B10-4555-01	FRONT GLASS	E2	D	1D		N83-3005-46	PAN HEAD TAPTITE SCREW	
213	1C		D10-4446-03	LEVER		H	2C		N29-0205-04	RETAINING RING	
214	1C		D10-4447-03	LEVER		244	1C		T90-0523-05	ANTENNA ADAPTOR	EE1E2
215	1C		D10-4589-04	LEVER		244	1C		T90-0523-05	ANTENNA ADAPTOR	E3E4
216	1C		D21-2329-04	SHAFT		DME1	1D	*	X92-4850-00	MECHANISM ASSY (DXM-6540W)	EE1E2K
218	1C		E29-1964-02	CONDUCTIVE RUBBER		DME1	1D	*	X92-4850-00	MECHANISM ASSY (DXM-6540W)	MM1
219	2D		E30-6224-15	CORD WITH CONNECTOR	EE1E3	DME1	1D	*	X92-4850-01	MECHANISM ASSY (DXM-6541W)	E3E4
219	2D		E30-6224-15	CORD WITH CONNECTOR	E4	<b>SWITCH UNIT (X16-2640-xx, 2642-xx, 2652-xx)</b>					
△ DC1	1C		E30-6132-15	DC CORD	EE1E2	245	2C		B11-1435-04	OPTICAL DIFFUSER	E1E4M
△ DC1	1C		E30-6132-15	DC CORD	E3E4	245	2C		B11-1435-04	OPTICAL DIFFUSER	M1
△ DC1	1C		E30-6286-05	DC CORD	EE1E2	245	2C		B11-1436-04	OPTICAL DIFFUSER	EE2E3K
△ DC1	1C		E30-6286-05	DC CORD	E3E4	246	2C		B11-1437-04	REFLECTION SHEET	E1E4M
DC2	1C		E30-6322-05	DC CORD	KMM1	246	2C		B11-1437-04	REFLECTION SHEET	M1
DC2	1C		E30-6323-05	DC CORD	KMM1	246	2C	*	B11-1442-04	REFLECTION SHEET	EE2E3K
FC1	2D	*	E39-0622-05	FLAT CABLE (24PIN)		248	2C		B19-2242-03	LIGHTING BOARD	
△ F1	2D		F52-0006-05	FUSE (MINI BLADE TYPE 10A)							
△ F1	2D		F52-0023-05	FUSE (MINI BLADE TYPE 10A)							

K : KDC-MP225 M : KDC-MP4026 M1 : KDC-MP4026G E : KDC-W4527Y  
E1 : KDC-W4527GY E2 : KDC-W427Y E3 : KDC-W4527 E4 : KDC-W4527G

△ Indicates safety critical components.

# PARTS LIST

\* New parts

Parts without **Parts No.** are not supplied.

Les articles non mentionnés dans le **Parts No.** ne sont pas fournis.

Teile ohne **Parts No.** werden nicht geliefert.

## SWITCH UNIT (X16-2640-xx, 2642-xx, 2652-xx)

Ref. No.	A d d	N e w	Parts No.	Description	Desti- nation
D1			B30-1633-05	LED (WHITE)	
D2			B30-1566-05	LED (1608,RED)	
D3,4			B30-1564-05	LED (1608,BLUE)	KMM1
D4			B30-1564-05	LED (1608,BLUE)	EE1E2
D4			B30-1564-05	LED (1608,BLUE)	E3E4
D7,8			B30-1566-05	LED (1608,RED)	EE1E2
D7,8			B30-1566-05	LED (1608,RED)	E3E4
D9,10			B30-1565-05	LED (1608,PG)	EE1E2
D9,10			B30-1565-05	LED (1608,PG)	E3E4
D11-19			B30-1566-05	LED (1608,RED)	EE1E2
D11-19			B30-1566-05	LED (1608,RED)	E3E4
D21-29			B30-1565-05	LED (1608,PG)	EE1E2
D21-29			B30-1565-05	LED (1608,PG)	E3E4M
D21-29			B30-1565-05	LED (1608,PG)	M1
D21-29			B30-1566-05	LED (1608,RED)	K
ED1	2C	*	B38-1136-05	LIQUID CRYSTAL	MM1
ED1	2C		B38-1137-05	LIQUID CRYSTAL	E2
ED1	2C		B38-1144-05	LIQUID CRYSTAL	E1E4
ED1	2C		B38-1145-05	LIQUID CRYSTAL	EE3K
C1			CK73GB1H102K	CHIP C 1000PF K	
C2			CK73GB1H103K	CHIP C 0.010UF K	
C3,4			CK73GB1E473K	CHIP C 0.047UF K	
C5			CK73FB1A225K	CHIP C 2.2UF K	EE1E3
C5			CK73FB1A225K	CHIP C 2.2UF K	E4KMM1
C11			CK73GB1H103K	CHIP C 0.010UF K	EE1E2
C11			CK73GB1H103K	CHIP C 0.010UF K	E3E4
C11-13			CK73GB1H103K	CHIP C 0.010UF K	KMM1
C13			CK73GB1H103K	CHIP C 0.010UF K	EE1E2
C13			CK73GB1H103K	CHIP C 0.010UF K	E3E4
249	2C		E29-1965-04	CONDUCTIVE RUBBER	E1E2E4
249	2C		E29-1965-04	CONDUCTIVE RUBBER	MM1
249	2C		E29-1993-04	CONDUCTIVE RUBBER	EE3K
250	2C		E29-1966-04	CONDUCTIVE RUBBER	E1E2E4
250	2C		E29-1966-04	CONDUCTIVE RUBBER	MM1
250	2C		E29-1994-04	CONDUCTIVE RUBBER	EE3K
J1			E59-0828-05	RECTANGULAR PLUG	
R1			RK73GB2A563J	CHIP R 56K J 1/10W	
R2			RK73GB2A4R7J	CHIP R 4.7 J 1/10W	
R3			RK73GB2A472J	CHIP R 4.7K J 1/10W	
R4			RK73GB2A473J	CHIP R 47K J 1/10W	
R5			RK73GB2A102J	CHIP R 1.0K J 1/10W	
R6-8			RK73GB2A471J	CHIP R 470 J 1/10W	
R9			RK73GB2A102J	CHIP R 1.0K J 1/10W	
R10			RK73GB2A470J	CHIP R 47 J 1/10W	EE1E3
R10			RK73GB2A470J	CHIP R 47 J 1/10W	E4KMM1
R11			RK73GB2A102J	CHIP R 1.0K J 1/10W	EE1E3
R11			RK73GB2A102J	CHIP R 1.0K J 1/10W	E4KMM1
R12,13			RK73GB2A222J	CHIP R 2.2K J 1/10W	EE1E2
R12,13			RK73GB2A222J	CHIP R 2.2K J 1/10W	E3E4
R21,22			RK73FB2B221J	CHIP R 220 J 1/8W	
R23			RK73FB2B431J	CHIP R 430 J 1/8W	
R24,25			RK73FB2B271J	CHIP R 270 J 1/8W	
R29			RK73GB2A221J	CHIP R 220 J 1/10W	EE1E2
R29			RK73GB2A221J	CHIP R 220 J 1/10W	E3E4

Ref. No.	A d d	N e w	Parts No.	Description	Desti- nation
R31-33			RK73FB2B331J	CHIP R 330 J 1/8W	EE1E2
R31-33			RK73FB2B331J	CHIP R 330 J 1/8W	E3E4M
R31-33			RK73FB2B331J	CHIP R 330 J 1/8W	M1
R31-33			RK73FB2B391J	CHIP R 390 J 1/8W	K
R41,42			RK73FB2B271J	CHIP R 270 J 1/8W	EE1E2
R41,42			RK73FB2B271J	CHIP R 270 J 1/8W	E3E4
W1			R92-1252-05	CHIP R 0 OHM J 1/16W	EE1E2
W1			R92-1252-05	CHIP R 0 OHM J 1/16W	E3E4
W1,2			R92-1252-05	CHIP R 0 OHM J 1/16W	KMM1
D31-35			UDZS5.6B	ZENER DIODE	
IC1			LC75883E-E	MOS-IC	
IC2			RS-171	ANALOGUE IC	EE1E3
IC2			RS-171	ANALOGUE IC	E4KMM1
Q1			DTA114EE	DIGITAL TRANSISTOR	
Q2,3			2SC4617	TRANSISTOR	EE1E2
Q2,3			2SC4617	TRANSISTOR	E3E4

## ELECTRIC UNIT (X25-9980-xx, 9982-xx, X34-3172-70)

Ref. No.	A d d	N e w	Parts No.	Description	Desti- nation
C1		*	C90-5682-05	ELECTRO 2200UF 16WV	EE1E2K
C1		*	C90-5682-05	ELECTRO 2200UF 16WV	MM1
C1			C94-0213-05	ELECTRO 2200UF 16WV	E3E4
C3			CK73GB1H102K	CHIP C 1000PF K	
C4-6			CK73GB1H103K	CHIP C 0.010UF K	
C19			CK73GB1A474K	CHIP C 0.47UF K	
C21			CD04AS1C470M	ELECTRO 47UF 16WV	
C22			CD04AS1E100M	ELECTRO 10UF 25WV	EE1E2
C22			CD04AS1E100M	ELECTRO 10UF 25WV	E3E4K
C22,23			CD04AS1E100M	ELECTRO 10UF 25WV	MM1
C24,25			CD04AS1C100M	ELECTRO 10UF 16WV	
C26			CD04AS1E100M	ELECTRO 10UF 25WV	
C27			CD04AT1H100M	ELECTRO 10UF 50WV	
C28			C90-5635-05	ELECTRO 220UF 16WV	
C29			CD04AS1C100M	ELECTRO 10UF 16WV	
C30		*	CD04AS1C101M	ELECTRO 100UF 16WV	
C31,32			CK73GB1H103K	CHIP C 0.010UF K	EE1E2
C31,32			CK73GB1H103K	CHIP C 0.010UF K	E3E4M
C31,32			CK73GB1H103K	CHIP C 0.010UF K	M1
C32			CK73GB1H103K	CHIP C 0.010UF K	K
C41,42			CD04BF1E101M	ELECTRO 100UF 25WV	
C43			CD04BF1C221M	ELECTRO 220UF 16WV	
C45			CK73GB1A224K	CHIP C 0.22UF K	
C104-106			CK73GB1H103K	CHIP C 0.010UF K	
C108			CK73GB1H103K	CHIP C 0.010UF K	
C111			CK73GB1H102K	CHIP C 1000PF K	
C112,113			CC73GCH1H100D	CHIP C 10PF D	EE1E3
C112,113			CC73GCH1H100D	CHIP C 10PF D	E4
C114			CK73GB1H103K	CHIP C 0.010UF K	EE1E3
C114			CK73GB1H103K	CHIP C 0.010UF K	E4
C115			CD04AS1C100M	ELECTRO 10UF 16WV	EE1E3
C115			CD04AS1C100M	ELECTRO 10UF 16WV	E4
C116			CC73GCH1H331J	CHIP C 330PF J	EE1E3
C116			CC73GCH1H331J	CHIP C 330PF J	E4
C117			CD04AS1H2R2M	ELECTRO 2.2UF 50WV	EE1E3
C117			CD04AS1H2R2M	ELECTRO 2.2UF 50WV	E4
C201,202			CD04AS1HR47M	ELECTRO 0.47UF 50WV	

K : KDC-MP225 M : KDC-MP4026 M1 : KDC-MP4026G E : KDC-W4527Y  
E1 : KDC-W4527GY E2 : KDC-W427Y E3 : KDC-W4527 E4 : KDC-W4527G

△ Indicates safety critical components.

# PARTS LIST

\* New parts

Parts without **Parts No.** are not supplied.

Les articles non mentionnés dans le **Parts No.** ne sont pas fournis.

Teile ohne **Parts No.** werden nicht geliefert.

## ELECTRIC UNIT (X25-9980-xx, 9982-xx, X34-3172-70)

Ref. No.	Add	New	Parts No.	Description	Destination	Ref. No.	Add	New	Parts No.	Description	Destination
C203			CK73GB1E223K	CHIP C 0.022UF K		R1			RK73FB2B683J	CHIP R 68K J 1/8W	
C203			CK73GB1H223K	CHIP C 0.022UF K		R2			RK73GB2A393J	CHIP R 39K J 1/10W	
C204			CK73GB1H103K	CHIP C 0.010UF K		R3			RK73GB2A104J	CHIP R 100K J 1/10W	
C205			CK73GB1A474K	CHIP C 0.47UF K		R4			RK73FB2B203J	CHIP R 20K J 1/8W	
C206			CC73GCH1H151J	CHIP C 150PF J		R5,6			RK73GB2A103J	CHIP R 10K J 1/10W	
C209			CD04AS1H2R2M	ELECTRO 2.2UF 50WV		R7			RK73GB2A104J	CHIP R 100K J 1/10W	
C210			CK73GB1H103K	CHIP C 0.010UF K		R8			RD14DB2H332J	SMALL-RD 3.3K J 1/2W	
C211			CD04AS1A470M	ELECTRO 47UF 10WV		R9			RD14BB2C333J	RD 33K J 1/6W	
C212,213			CK73GB1C104K	CHIP C 0.10UF K		R10			RK73GB2A103J	CHIP R 10K J 1/10W	
C212,213			CK73GB1H104K	CHIP C 0.10UF K		R11			RK73GB2A223J	CHIP R 22K J 1/10W	
C251-254		*	CD04AX1HR22M	ELECTRO 0.22UF 50WV		R12			RK73GB2A473J	CHIP R 47K J 1/10W	
C251-254		*	C90-5684-05	ELECTRO 0.22UF 50WV		R13			RK73GB2A562J	CHIP R 5.6K J 1/10W	
C255			CD04AS1H010M	ELECTRO 1UF 50WV		R21			RD14BB2C152J	RD 1.5K J 1/6W	
C256			CD04AS1A330M	ELECTRO 33UF 10WV		R22			RD14BB2C472J	RD 4.7K J 1/6W	K
C257			CD04AT1H010M	ELECTRO 1UF 50WV		R22,23			RD14BB2C472J	RD 4.7K J 1/6W	EE1E2
C258			CD04AS1H010M	ELECTRO 1UF 50WV		R22,23			RD14BB2C472J	RD 4.7K J 1/6W	E3E4M
C301,302			CK73FB1C474K	CHIP C 0.47UF K	EE1E3	R22,23			RD14BB2C472J	RD 4.7K J 1/6W	M1
C301,302			CK73FB1C474K	CHIP C 0.47UF K	E4KMM1	R24-28			RK73GB2A102J	CHIP R 1.0K J 1/10W	MM1
C303			CD04AS1A470M	ELECTRO 47UF 10WV	EE1E3	R25-28			RK73GB2A102J	CHIP R 1.0K J 1/10W	EE1E2
C303			CD04AS1A470M	ELECTRO 47UF 10WV	E4KMM1	R25-28			RK73GB2A102J	CHIP R 1.0K J 1/10W	E3E4K
C351,352			CD04AS1C100M	ELECTRO 10UF 16WV		R31			RD14BB2C103J	RD 10K J 1/6W	EE1E2
C356			CK73FB1H104K	CHIP C 0.10UF K		R31			RD14BB2C103J	RD 10K J 1/6W	E3E4M
C406			CK73GB1A224K	CHIP C 0.22UF K		R31			RD14BB2C103J	RD 10K J 1/6W	M1
C407,408			CC73GCH1H220J	CHIP C 22PF J		R32			RK73GB2A223J	CHIP R 22K J 1/10W	
C409			CD04AS0J470M	ELECTRO 47UF 6.3WV		R33			RK73GB2A473J	CHIP R 47K J 1/10W	
C410			CK73GB1H103K	CHIP C 0.010UF K		R41-44			RK73GB2A473J	CHIP R 47K J 1/10W	
CN2			E41-0168-05	FLAT CABLE CONNECTOR		R51,52			RK73GB2A222J	CHIP R 2.2K J 1/10W	
CN3		*	E41-0927-05	PIN ASSY	K	R53-56			RK73GB2A102J	CHIP R 1.0K J 1/10W	
CN4		*	E41-0941-05	PIN ASSY	EE1E3	R58			RK73GB2A222J	CHIP R 2.2K J 1/10W	
CN4		*	E41-0941-05	PIN ASSY	E4	R59			RK73GB2A101J	CHIP R 100 J 1/10W	
△ J1			E58-0863-15	RECTANGULAR RECEPTACLE		R60			RK73GB2A222J	CHIP R 2.2K J 1/10W	
J2			E56-0855-05	CYLINDRICAL RECEPTACLE	EE1E3	R61,62			RK73GB2A104J	CHIP R 100K J 1/10W	
J2			E56-0855-05	CYLINDRICAL RECEPTACLE	E4KMM1	R63			RD14BB2C222J	RD 2.2K J 1/6W	
J3		*	E63-0898-05	PIN JACK		R65			RK73EB2E472J	CHIP R 4.7K J 1/4W	
J4		*	E04-0326-05	RF COAXIAL CABLE RECEPTACLE		R66			RK73GB2A472J	CHIP R 4.7K J 1/10W	
J5			E58-0879-05	RECTANGULAR RECEPTACLE		R101			RK73GB2A102J	CHIP R 1.0K J 1/10W	
P1			E23-0745-05	TERMINAL		R102			RK73GB2A471J	CHIP R 470 J 1/10W	
L1			L33-1988-05	CHOKE COIL ASSY		R103			RK73GB2A472J	CHIP R 4.7K J 1/10W	
L3			L33-1977-05	CHOKE COIL		R104			RK73GB2A471J	CHIP R 470 J 1/10W	
L6-11			L40-4795-91	SMALL FIXED INDUCTOR (4.7UH,J)	EE1E3	R105			RK73GB2A472J	CHIP R 4.7K J 1/10W	
L6-11			L40-4795-91	SMALL FIXED INDUCTOR (4.7UH,J)	E4	R106			RK73GB2A222J	CHIP R 2.2K J 1/10W	EE1E3
L6-8			L40-4795-91	SMALL FIXED INDUCTOR (4.7UH,J)	E2KMM1	R111			RK73GB2A472J	CHIP R 4.7K J 1/10W	E4
L10,11			L40-4795-91	SMALL FIXED INDUCTOR (4.7UH,J)	E2KMM1	R111			RK73GB2A472J	CHIP R 4.7K J 1/10W	EE1E3
L12			L33-1925-05	CHOKE COIL		R112-114			RK73GB2A222J	CHIP R 2.2K J 1/10W	E4
X1			L78-0879-05	RESONATOR (10.0MHZ)		R112-114			RK73GB2A222J	CHIP R 2.2K J 1/10W	
X2			L77-2793-05	CRYSTAL RESONATOR (32.768KHZ)		R152-154			RK73GB2A471J	CHIP R 470 J 1/10W	
X3			L77-2002-05	CRYSTAL RESONATOR (4.332MHZ)	EE1E3	R160			RK73GB2A222J	CHIP R 2.2K J 1/10W	
X3			L77-2002-05	CRYSTAL RESONATOR (4.332MHZ)	E4	R161			RK73GB2A225J	CHIP R 2.2M J 1/10W	
D	2D		N83-3005-46	PAN HEAD TAPTITE SCREW		R162			RK73GB2A104J	CHIP R 100K J 1/10W	
E	2D		N80-3010-46	PAN HEAD TAPTITE SCREW		R171			RD14BB2C102J	RD 1.0K J 1/6W	
F	2D		N83-3020-46	PAN HEAD TAPTITE SCREW		R172			RD14BB2C470J	RD 47 J 1/6W	EE1E3
G	2D		N86-2606-46	BINDING HEAD TAPTITE SCREW		R172			RD14BB2C470J	RD 47 J 1/6W	E4KMM1
						R173			RD14BB2C471J	RD 470 J 1/6W	
						R174			RD14BB2C101J	RD 100 J 1/6W	
						R175			RD14BB2C471J	RD 470 J 1/6W	

K : KDC-MP225 M : KDC-MP4026 M1 : KDC-MP4026G E : KDC-W4527Y  
E1 : KDC-W4527GY E2 : KDC-W427Y E3 : KDC-W4527 E4 : KDC-W4527G

△ Indicates safety critical components.

# PARTS LIST

\* New parts

Parts without **Parts No.** are not supplied.

Les articles non mentionnés dans le **Parts No.** ne sont pas fournis.

Teile ohne **Parts No.** werden nicht geliefert.

## ELECTRIC UNIT (X25-9980-xx, 9982-xx, X34-3172-70)

Ref. No.	A d d	N e w	Parts No.	Description	Desti- nation
R176			RD14BB2C102J	RD 1.0K J 1/6W	
R180			RD14BB2C102J	RD 1.0K J 1/6W	
R181			RD14BB2C100J	RD 10 J 1/6W	
R182			RD14BB2C102J	RD 1.0K J 1/6W	E2
R182,183			RD14BB2C102J	RD 1.0K J 1/6W	EE1E3
R182,183			RD14BB2C102J	RD 1.0K J 1/6W	E4KMM1
R201			RK73GB2A103J	CHIP R 10K J 1/10W	
R202-204			RK73GB2A472J	CHIP R 4.7K J 1/10W	
R205			RK73GB2A222J	CHIP R 2.2K J 1/10W	
R206			RD14BB2C102J	RD 1.0K J 1/6W	EE1E3
R206			RD14BB2C102J	RD 1.0K J 1/6W	E4
R207,208			RK73GB2A471J	CHIP R 470 J 1/10W	
R209,210			RK73GB2A472J	CHIP R 4.7K J 1/10W	
R251			RK73GB2A333J	CHIP R 33K J 1/10W	
R252			RK73GB2A473J	CHIP R 47K J 1/10W	
R253			RK73GB2A432J	CHIP R 4.3K J 1/10W	
R254			RK73GB2A100J	CHIP R 10 J 1/10W	
R255			RK73GB2A221J	CHIP R 220 J 1/10W	
R256			RK73GB2A223J	CHIP R 22K J 1/10W	
R257			RK73GB2A432J	CHIP R 4.3K J 1/10W	
R271			RK73GB2A101J	CHIP R 100 J 1/10W	
R272			RK73GB2A103J	CHIP R 10K J 1/10W	
R273			RK73GB2A474J	CHIP R 470K J 1/10W	
R301,302			RD14BB2C100J	RD 10 J 1/6W	EE1E3
R301,302			RD14BB2C100J	RD 10 J 1/6W	E4KMM1
R303			RD14BB2C101J	RD 100 J 1/6W	EE1E3
R303			RD14BB2C101J	RD 100 J 1/6W	E4KMM1
R304,305			RD14BB2C472J	RD 4.7K J 1/6W	EE1E3
R304,305			RD14BB2C472J	RD 4.7K J 1/6W	E4KMM1
R306		*	RD14BB2C4R7J	RD 4.7 J 1/6W	EE1E3
R306		*	RD14BB2C4R7J	RD 4.7 J 1/6W	E4KMM1
R307-309			RD14BB2C472J	RD 4.7K J 1/6W	EE1E3
R307-309			RD14BB2C472J	RD 4.7K J 1/6W	E4KMM1
R310,311			RD14BB2C101J	RD 100 J 1/6W	EE1E3
R310,311			RD14BB2C101J	RD 100 J 1/6W	E4KMM1
R312-315			RK73GB2A104J	CHIP R 100K J 1/10W	
R351,352			RK73GB2A271J	CHIP R 270 J 1/10W	
R355,356			RK73GB2A303J	CHIP R 30K J 1/10W	
R357,358			RD14BB2C101J	RD 100 J 1/6W	
R374			RD14BB2C102J	RD 1.0K J 1/6W	EE1E3
R374			RD14BB2C102J	RD 1.0K J 1/6W	E4K
R407			RK73GB2A241J	CHIP R 240 J 1/10W	
R410			RK73GB2A473J	CHIP R 47K J 1/10W	
R411			RK73GB2A223J	CHIP R 22K J 1/10W	MM1
R412			RK73GB2A223J	CHIP R 22K J 1/10W	EE1E2
R412			RK73GB2A223J	CHIP R 22K J 1/10W	E3E4K
R415			RK73GB2A223J	CHIP R 22K J 1/10W	E2KMM1
R415,416			RK73GB2A223J	CHIP R 22K J 1/10W	EE1E3
R415,416			RK73GB2A223J	CHIP R 22K J 1/10W	E4
R417			RK73GB2A223J	CHIP R 22K J 1/10W	E2KMM1
R419			RK73GB2A223J	CHIP R 22K J 1/10W	
R420			RK73GB2A103J	CHIP R 10K J 1/10W	
R421			RK73GB2A223J	CHIP R 22K J 1/10W	E2
R422			RK73GB2A223J	CHIP R 22K J 1/10W	EE1E3
R422			RK73GB2A223J	CHIP R 22K J 1/10W	E4KMM1

Ref. No.	A d d	N e w	Parts No.	Description	Desti- nation
R425			RK73GB2A102J	CHIP R 1.0K J 1/10W	
R430,431			RK73GB2A473J	CHIP R 47K J 1/10W	
R432			RK73GB2A4R7J	CHIP R 4.7 J 1/10W	
W1-3			R92-2053-05	CHIP R 0 J 1/8W	EE1E3
W1-3			R92-2053-05	CHIP R 0 J 1/8W	E4
W9-12			R92-2053-05	CHIP R 0 J 1/8W	
W13,14			R92-1252-05	CHIP R 0 OHM J 1/16W	
W15			R92-2053-05	CHIP R 0 J 1/8W	E2
W15-20			R92-2053-05	CHIP R 0 J 1/8W	EE1E3
W15-20			R92-2053-05	CHIP R 0 J 1/8W	E4KMM1
W18-20			R92-2053-05	CHIP R 0 J 1/8W	E2
W22			R92-1252-05	CHIP R 0 OHM J 1/16W	E2KMM1
W22-24			R92-1252-05	CHIP R 0 OHM J 1/16W	EE1E3
W22-24			R92-1252-05	CHIP R 0 OHM J 1/16W	E4
W24			R92-1252-05	CHIP R 0 OHM J 1/16W	E2KMM1
W25			R92-2053-05	CHIP R 0 J 1/8W	
W27			R92-1252-05	CHIP R 0 OHM J 1/16W	
W28,29			R92-2053-05	CHIP R 0 J 1/8W	
W30			R92-1252-05	CHIP R 0 OHM J 1/16W	
W31-33			R92-2053-05	CHIP R 0 J 1/8W	MM1
W32,33			R92-2053-05	CHIP R 0 J 1/8W	EE1E2
W32,33			R92-2053-05	CHIP R 0 J 1/8W	E3E4K
W34,35			R92-1252-05	CHIP R 0 OHM J 1/16W	EE1E2
W34,35			R92-1252-05	CHIP R 0 OHM J 1/16W	E3E4
W35			R92-1252-05	CHIP R 0 OHM J 1/16W	KMM1
W37			R92-1252-05	CHIP R 0 OHM J 1/16W	
W38			R92-2053-05	CHIP R 0 J 1/8W	
W40,41			R92-2053-05	CHIP R 0 J 1/8W	
D1			S2V60*A	DIODE	
D2-4		*	MAZ4068N-M	ZENER DIODE	
D5			1SS133	DIODE	
D21		*	MAZ4082N-L	ZENER DIODE	
D22		*	D1F60-5063	DIODE	
D23,24			AM01ZNF	DIODE	EE1E2
D23,24			AM01ZNF	DIODE	E3E4M
D23,24			AM01ZNF	DIODE	M1
D24			AM01ZNF	DIODE	K
D25		*	D1F60-5063	DIODE	EE1E2
D25		*	D1F60-5063	DIODE	E3E4M
D25		*	D1F60-5063	DIODE	M1
D26			DAN202U	DIODE	
D31			MAZ4047-M	ZENER DIODE	EE1E2
D31			MAZ4047-M	ZENER DIODE	E3E4M
D31			MAZ4047-M	ZENER DIODE	M1
D41			SFPB-54VNF	DIODE	
D151		*	MAZ4062-L	ZENER DIODE	EE1E3
D151		*	MAZ4062-L	ZENER DIODE	E4KMM1
D156			MAZ4120-L	ZENER DIODE	
D157-159		*	MAZ4062-L	ZENER DIODE	EE1E3
D157-159			MAZ4062-L	ZENER DIODE	E4KMM1
D157,158			MAZ4062-L	ZENER DIODE	E2
D162			MAZ4062-L	ZENER DIODE	
D203			DAN202U	DIODE	
D251		*	D1F60-5063	DIODE	

K : KDC-MP225 M : KDC-MP4026 M1 : KDC-MP4026G E : KDC-W4527Y  
E1 : KDC-W4527GY E2 : KDC-W427Y E3 : KDC-W4527 E4 : KDC-W4527G

△ Indicates safety critical components.



# PARTS LIST

\* New parts

Parts without **Parts No.** are not supplied.

Les articles non mentionnés dans le **Parts No.** ne sont pas fournis.

Teile ohne **Parts No.** werden nicht geliefert.

## ELECTRIC UNIT (X25-9980-xx, 9982-xx, X34-3172-70)

Ref. No.	Add	New	Parts No.	Description	Destination	Ref. No.	Add	New	Parts No.	Description	Destination
D252			AM01ZNF	DIODE		C20			CK73GB1C104K	CHIP C 0.10UF K	
D253		*	D1F60-5063	DIODE		C21			CK73GB1H102K	CHIP C 1000PF K	
D254			AM01ZNF	DIODE		C22,23			CK73GB0J105K	CHIP C 1.0UF K	
D255-258		*	D1F60-5063	DIODE		C24-27			CK73GB1C104K	CHIP C 0.10UF K	
D269-271			1SS133	DIODE		C28			CK73FB0J106M	CHIP C 10UF M	
D301		*	MAZ4062-L	ZENER DIODE	EE1E3	C29			CK73GB1C104K	CHIP C 0.10UF K	
D301		*	MAZ4062-L	ZENER DIODE	E4KMM1	C30			CK73GB1H152K	CHIP C 1500PF K	
D307,308		*	MAZ4062-L	ZENER DIODE	EE1E3	C31			CC73GCH1H470J	CHIP C 47PF J	
D307,308		*	MAZ4062-L	ZENER DIODE	E4KMM1	C32,33			CK73GB1C104K	CHIP C 0.10UF K	
D309,310		*	MAZ4068N-M	ZENER DIODE	EE1E3	C34			CC73GCH1H560J	CHIP C 56PF J	
D309,310		*	MAZ4068N-M	ZENER DIODE	E4KMM1	C35,36			CK73GB1C104K	CHIP C 0.10UF K	
D311		*	MAZ4062-L	ZENER DIODE	EE1E3	C37			CK73GB1H102K	CHIP C 1000PF K	
D311		*	MAZ4062-L	ZENER DIODE	E4KMM1	C38			CK73GB1H682K	CHIP C 6800PF K	
D401			DAN202U	DIODE		C39			CK73GB1C104K	CHIP C 0.10UF K	
IC1			784225GC231A	MICROCONTROLLER IC		C41			CK73GB1A334K	CHIP C 0.33UF K	
IC2		*	E-TDA7407D	ANALOGUE IC		C42-45			CK73GB1C104K	CHIP C 0.10UF K	
IC3			BA4911-V4	ANALOGUE IC		C46			CK73GB1H682K	CHIP C 6800PF K	
IC4		*	E-TDA7560	ANALOGUE IC		C47			CK73GB1C104K	CHIP C 0.10UF K	
IC6		*	SN74HC02NSR	MOS-IC		C48			CC73GCH1H040C	CHIP C 4.0PF C	
IC7			E-TDA7479AD	ANALOGUE IC	EE1E3	C49			CK73GB1H332K	CHIP C 3300PF K	
IC7			E-TDA7479AD	ANALOGUE IC	E4	C50			CK73GB1C104K	CHIP C 0.10UF K	
IC8			PST3436UL-E	MOS-IC		C51			CC73GCH1H330J	CHIP C 33PF J	
IC9		*	SI-8050JF3NF	ANALOGUE IC		C52			CK73FB1A225K	CHIP C 2.2UF K	
Q1-3			2SC4081	TRANSISTOR		C53			CK73GB0J105K	CHIP C 1.0UF K	
Q4			2SA1036K	TRANSISTOR		C54,55			CK73GB1H103K	CHIP C 0.010UF K	
Q21			2SB1565(E,F)	TRANSISTOR		C56,57			CK73GB1H331K	CHIP C 330PF K	
Q22			UMC2N	TRANSISTOR	EE1E2	C58			CK73GB1H472K	CHIP C 4700PF K	
Q22			UMC2N	TRANSISTOR	E3E4K	C59-63			CK73GB1H152K	CHIP C 1500PF K	
Q22,23			UMC2N	TRANSISTOR	MM1	C64			CK73GB1C104K	CHIP C 0.10UF K	
Q24			2SD1858	TRANSISTOR		C66			CC73GCH1H120J	CHIP C 12PF J	
Q41			2SC4081	TRANSISTOR		C67			CC73GCH1H180J	CHIP C 18PF J	
Q101			DTC143TUA	DIGITAL TRANSISTOR	EE1E3	C68			CK73GB1H103K	CHIP C 0.010UF K	
Q101			DTC143TUA	DIGITAL TRANSISTOR	E4	C69			CK73FB1A225K	CHIP C 2.2UF K	
Q151			DTA114YUA	DIGITAL TRANSISTOR		C70			CK73FB1A105K	CHIP C 1.0UF K	
Q201			DTC143TUA	DIGITAL TRANSISTOR		C71			CK73FB0J106M	CHIP C 10UF M	
Q252			2SA1576A	TRANSISTOR		C72			CK73GB1H102K	CHIP C 1000PF K	
Q350			DTA124EUA	DIGITAL TRANSISTOR		CN1			E41-2083-05	FLAT CABLE CONNECTOR	
Q351,352			DTC143TUA	DIGITAL TRANSISTOR		CN2			E41-2068-05	FLAT CABLE CONNECTOR	
Q401			2SC4081	TRANSISTOR		CN2			E41-2085-05	FLAT CABLE CONNECTOR	
TH1			PRF21BE471QB2	POSITIVE RESISTOR		L1,2			L92-0386-05	CHIP FERRITE	
A1			X86-3760-11	FRONT-END UNIT	KMM1	X1			L77-2808-05	CRYSTAL RESONATOR (16.897849MHZ)	
A1			X86-3762-70	FRONT-END UNIT	EE1E2	X2			L78-0896-05	RESONATOR (16.00MHZ)	
A1		*	X86-3762-71	FRONT-END UNIT	E3E4						
<b>CD PLAYER UNIT (X32-5500-00)</b>											
C1,2			CK73GB1H222K	CHIP C 2200PF K		CP1			RK74GA1J104J	CHIP-COM 100K J 1/16W	
C3,4			CK73GB0J105K	CHIP C 1.0UF K		CP2,3			RK74GA1J101J	CHIP-COM 100 J 1/16W	
C5			CK73GB1C104K	CHIP C 0.10UF K		CP4			RK74GA1J103J	CHIP-COM 10K J 1/16W	
C6			CK73GB1H103K	CHIP C 0.010UF K		CP5			RK74GA1J102J	CHIP-COM 1.0K J 1/16W	
C7-9			CK73GB0J105K	CHIP C 1.0UF K		CP6			RK74GA1J104J	CHIP-COM 100K J 1/16W	
C10-15			CK73GB1C104K	CHIP C 0.10UF K		CP7			RK74GB1J102J	CHIP-COM 1.0K J 1/16W	
C16			CK73FB0J475K	CHIP C 4.7UF K		CP8			RK74GA1J102J	CHIP-COM 1.0K J 1/16W	
C17			CK73FB0J106M	CHIP C 10UF M		CP9			RK74GB1J101J	CHIP-COM 100 J 1/16W	
C18			CK73GB1C104K	CHIP C 0.10UF K		CP10			RK74GB1J103J	CHIP-COM 10K J 1/16W	
C19			CK73FB0J475K	CHIP C 4.7UF K		CP11			RK74GB1J472J	CHIP-COM 4.7K J 1/16W	
						CP12			RK74GA1J104J	CHIP-COM 100K J 1/16W	

K : KDC-MP225 M : KDC-MP4026 M1 : KDC-MP4026G E : KDC-W4527Y  
E1 : KDC-W4527GY E2 : KDC-W427Y E3 : KDC-W4527 E4 : KDC-W4527G

△ Indicates safety critical components.

# PARTS LIST

\* New parts

Parts without **Parts No.** are not supplied.

Les articles non mentionnés dans le **Parts No.** ne sont pas fournis.

Teile ohne **Parts No.** werden nicht geliefert.

## CD PLAYER UNIT (X32-5500-00)

Ref. No.	A d d	N e w	Parts No.	Description	Desti- nation
CP13,14			RK74GB1J104J	CHIP-COM 100K J 1/16W	
CP15			RK74GA1J104J	CHIP-COM 100K J 1/16W	
CP16			RK74GB1J222J	CHIP-COM 2.2K J 1/16W	
R1			RK73GB2A100J	CHIP R 10 J 1/10W	
R2			R92-3494-05	CHIP R 5.6 J 1/2W	
R3,4			RK73FB2B331J	CHIP R 330 J 1/8W	
R5			RK73GB2A101J	CHIP R 100 J 1/10W	
R6			RN73GH1J223D	CHIP R 22K D 1/16W	
R7			RK73GB2A104J	CHIP R 100K J 1/10W	
R8			RN73GH1J393D	CHIP R 39K D 1/16W	
R9			RK73GB2A104J	CHIP R 100K J 1/10W	
R10			RK73GB2A101J	CHIP R 100 J 1/10W	
R11,12			RK73GB2A104J	CHIP R 100K J 1/10W	
R13			RK73GB2A102J	CHIP R 1.0K J 1/10W	
R14-17			RK73GB2A104J	CHIP R 100K J 1/10W	
R18			RK73GB2A101J	CHIP R 100 J 1/10W	
R21-23			RK73GB2A103J	CHIP R 10K J 1/10W	
R24,25			RK73GB2A4R7J	CHIP R 4.7 J 1/10W	
R27			RK73GB2A104J	CHIP R 100K J 1/10W	
R28			RK73GB2A103J	CHIP R 10K J 1/10W	
R29			RK73GB2A102J	CHIP R 1.0K J 1/10W	
R31-33			RK73GB2A104J	CHIP R 100K J 1/10W	
R34			RK73GB2A472J	CHIP R 4.7K J 1/10W	
R35			RK73GB2A104J	CHIP R 100K J 1/10W	
R36			RK73FB2B4R7J	CHIP R 4.7 J 1/8W	
R37			RK73GB2A103J	CHIP R 10K J 1/10W	
R38			RK73GB2A221J	CHIP R 220 J 1/10W	
R39			RK73GB2A152J	CHIP R 1.5K J 1/10W	
R40			RK73GB2A274J	CHIP R 270K J 1/10W	
R42			RK73GB2A101J	CHIP R 100 J 1/10W	
R43			RK73GB2A393J	CHIP R 39K J 1/10W	
R44,45			RK73GB2A302J	CHIP R 3.0K J 1/10W	
R46			RK73GB2A105J	CHIP R 1.0M J 1/10W	
R47			RK73GB2A104J	CHIP R 100K J 1/10W	
R48,49			RK73GB2A331J	CHIP R 330 J 1/10W	
R50			RK73GB2A101J	CHIP R 100 J 1/10W	
R51			RK73GB2A392J	CHIP R 3.9K J 1/10W	
R52			RK73GB2A163J	CHIP R 16K J 1/10W	
R53			RK73GB2A123J	CHIP R 12K J 1/10W	
R54			RK73GB2A333J	CHIP R 33K J 1/10W	
R55			RK73GB2A103J	CHIP R 10K J 1/10W	
R56			RK73GB2A123J	CHIP R 12K J 1/10W	
R57,58			RK73GB2A133J	CHIP R 13K J 1/10W	
R59			RK73GB2A472J	CHIP R 4.7K J 1/10W	
R60			RK73GB2A123J	CHIP R 12K J 1/10W	
R61			RK73GB2A183J	CHIP R 18K J 1/10W	
R62			RK73GB2A432J	CHIP R 4.3K J 1/10W	
R63			RK73GB2A133J	CHIP R 13K J 1/10W	
R64			RK73GB2A241J	CHIP R 240 J 1/10W	
R65			RK73GB2A104J	CHIP R 100K J 1/10W	
R66			RK73GB2A472J	CHIP R 4.7K J 1/10W	
R67			RK73GB2A222J	CHIP R 2.2K J 1/10W	
R68,69			RK73GB2A104J	CHIP R 100K J 1/10W	
R70			RK73GB2A102J	CHIP R 1.0K J 1/10W	

Ref. No.	A d d	N e w	Parts No.	Description	Desti- nation
S1,2			S68-0863-05	PUSH SWITCH	
S3			S68-0862-05	PUSH SWITCH	
D2		*	DA204UF	DIODE	
D3			DAN202UF	DIODE	
IC1			91CW12AFG-4VF6	MICROCONTROLLER IC	
IC2			UPD63712GC	MOS-IC	
IC3			TC94A20F-010	MOS-IC	
IC4			BA5824FP-F	ANALOGUE IC	
IC5			NJM2880U133	ANALOGUE IC	
IC5			NJM2880U33	ANALOGUE IC	
IC6			S-1112B33MCG	ANALOGUE IC	
IC6			XC6219B332MR	ANALOGUE IC	
IC7			S-1112B25MCG	ANALOGUE IC	
IC7			XC6219B252MR	ANALOGUE IC	
IC8			TC7SH08FU	MOS-IC	
IC9			TAR5S33-F	ANALOGUE IC	
Q1		*	2SK3018F	FET	
Q3			UMD9N	TRANSISTOR	
Q4		*	2SK3018F	FET	
Q5			UMD9N	TRANSISTOR	
Q6			UMD12N	TRANSISTOR	
Q7		*	DTC124EUAF	DIGITAL TRANSISTOR	
Q8			2SB0970	TRANSISTOR	
Q9,10			DTC114YUAF	DIGITAL TRANSISTOR	
<b>MECHANISM ASSY (X92-4850-00/01)</b>					
2		1B	A10-4827-22	CHASSIS	
5		1B	* D10-4576-63	ARM ASS'Y	
8		2A	D10-4579-13	LEVER ASS'Y	
10		3A	D10-4581-13	ARM	
11		2A	D10-4582-13	ARM	
12		3A	D10-4583-03	ARM	
13		3A	D10-4584-03	ARM	
14		3B	D10-4585-03	ARM	
15		2A	D10-4586-13	SLIDER	
16		3B	D10-4587-32	SLIDER	
17		3B	D10-4588-13	SLIDER	
18		3B	D10-4595-04	ARM	
19		3B	D10-4596-14	ARM	
22		2A	D13-2151-04	GEAR	
23		2B	D13-2152-04	GEAR	
24		3B	D13-2153-04	GEAR	
25		3B	D13-2154-04	GEAR	
26		3B	D13-2155-04	WORM	
27		3B	D13-2156-14	GEAR	
28		3B	D13-2157-04	GEAR	
29		3B	D13-2158-04	GEAR	
30		3B	D13-2168-04	GEAR	
31		3B	D13-2171-04	GEAR	
32		2B	D13-2172-03	RACK (GEAR)	
33		2A	D14-0759-04	ROLLER	
35		2B	D21-2382-04	SHAFT	
36		1A	D23-0954-04	RETAINER	
37		1B	D39-0246-05	DAMPER	

K : KDC-MP225 M : KDC-MP4026 M1 : KDC-MP4026G E : KDC-W4527Y  
E1 : KDC-W4527GY E2 : KDC-W427Y E3 : KDC-W4527 E4 : KDC-W4527G

△ Indicates safety critical components.

# PARTS LIST

\* New parts

Parts without **Parts No.** are not supplied.

Les articles non mentionnés dans le **Parts No.** ne sont pas fournis.

Teile ohne **Parts No.** werden nicht geliefert.

## MECHANISM ASSY (X92-4850-00/01)

Ref. No.	A d d	N e w	Parts No.	Description	Desti- nation	Ref. No.	A d d	N e w	Parts No.	Description	Desti- nation
38	2B		G01-3072-04	EXTENSION SPRING							
39	2A		G01-3073-04	TORSION COIL SPRING							
40	2A		G01-3074-04	EXTENSION SPRING							
41	1B		G01-3075-14	EXTENSION SPRING							
42	2A		G01-3076-04	EXTENSION SPRING							
43	1B		G01-3077-14	EXTENSION SPRING							
44	2B		G02-1399-04	FLAT SPRING							
45	2B		G02-1408-04	FLAT SPRING							
51	1A		J21-9676-22	MOUNTING HARDWARE							
52	3B		J21-9677-12	MOUNTING HARDWARE							
53	1B		J21-9678-13	MOUNTING HARDWARE							
55	1A		J90-1001-11	GUIDE							
56	1B		J90-1023-03	GUIDE							
DFPC1	3A		J84-0141-05	FLEXIBLE PRINTED WIRING BOARD							
A	2B		N09-4460-05	TAPTITE SCREW							
B	1B		N09-4472-15	MACHINE SCREW							
C	2B		N09-6004-05	MACHINE SCREW							
E	2B		N09-6007-05	MACHINE SCREW							
F	1A		N09-6051-05	TAPTITE SCREW							
G	2A		N19-2163-04	FLAT WASHER							
H	1B		N39-2020-46	PAN HEAD MACHIN SCREW							
J	1B		N09-6108-05	MACHINE SCREW							
DM1	3B		T42-1066-04	DC MOTOR ASSY (SPINDLE)							
DM2	3B		T42-1067-04	DC MOTOR ASSY (LOADING)							
DPU1	2B		X93-2010-00	OPTICAL PICKUP ASS'Y							

K : KDC-MP225    M : KDC-MP4026    M1 : KDC-MP4026G    E : KDC-W4527Y  
E1 : KDC-W4527GY    E2 : KDC-W427Y    E3 : KDC-W4527    E4 : KDC-W4527G

△ Indicates safety critical components.

# SPECIFICATIONS

## KDC-MP225, MP4026/G

### ● FM

Frequency Range (Frequency step)

KDC-MP225	87.9MHz~107.9MHz (200kHz)
KDC-MP4026/G	87.5MHz~108.0MHz (50kHz) 87.9MHz~107.9MHz (200kHz)

Channel Space Selection	50k/200kHz
Usable Sensitivity (S/N 30dB)	9.3dBf (0.8μV/75Ω)
Quieting Sensitivity (S/N 50dB)	15.2dBf (1.6μV/75Ω)
Frequency Response (±3.0dB)	30Hz~15kHz
S/N	70dB (MONO)
Selectivity (DIN)	≥80dB (±400kHz)
Stereo Separation	40dB (1kHz)

### ● AM

Frequency Range (Frequency step)

KDC-MP225	530kHz~1700kHz (10kHz)
KDC-MP4026/G	531kHz~1611kHz (9kHz) 530kHz~1700kHz (10kHz)

Channel Space Selection	9k/10kHz
Usable Sensitivity (S/N 20dB)	28dBμ (25μV)

### ● CD

Laser Diode	GaAlAs
Digital Filter (D/A)	8 Times OverSampling
D/A Converter	1 Bit
Spindle Speed (rpm)	1000~400 (CLV · 2 times)
Wow & Flutter	Below Mesurable Limit
Frequency Response	10Hz~20kHz (±1dB)
Total Harmonic Distortion	0.01% (1kHz)
S/N Ratio	105dB (1kHz)
Dynamic Range	93dB
Channel Separation	85dB
MP3 Decode	Compliant with MPEG-1/2 Audio Layer-3
WMA Decode	Compliant with WINDOWS MEDIA AUDIO
● Preout Level/Load-Unbalanced	2000mV/10kΩ (CD/CD-CH)
● Preout Impedance	≤600Ω

### ● AMP

Maximum Power	50W x 4
Full Bandwidth Power (at less than 1% THD)	22W x 4

### ● TONE

Bass	100Hz±10dB
Middle	1kHz±10dB
Treble	10kHz±10dB

### ● GENERAL

Operating voltage (11~16V allowable)	14.4V
Current Consumption	10A
Installation Size (W x H x D)	182 x 53 x 155 mm 7-3/16 x 2-1/16 x 6-1/10 in
Weight	1.40kg (3.1lbs)

## KDC-W4527/G/GY/Y, W427Y

### ● FM

Frequency Range (Frequency step)	87.5MHz~108.0MHz (50kHz)
Usable Sensitivity (S/N 26dB)	0.7μV/75Ω
Quieting Sensitivity (S/N 46dB)	1.6μV/75Ω
Frequency Response (±3.0dB)	30Hz~15kHz
S/N	65dB (MONO)
Selectivity (DIN)	≥80dB (±400kHz)
Stereo Separation	35dB (1kHz)

### ● MW (AM)

Frequency Range (Frequency step)	531kHz~1611kHz (9kHz)
Usable Sensitivity (S/N 20dB)	25μV

### ● LW

Frequency range	153kHz~281kHz
Usable Sensitivity (S/N 20dB)	45μV

### ● CD

Laser Diode	GaAlAs
Digital Filter (D/A)	8 Times OverSampling
D/A Converter	1 Bit
Spindle Speed (rpm)	1000~400 (CLV · 2 times)
Wow & Flutter	Below Mesurable Limit
Frequency Response	10Hz~20kHz (±1dB)
Total Harmonic Distortion	0.01% (1kHz)
S/N Ratio	105dB (1kHz)
Dynamic Range	93dB
Channel Separation	85dB
MP3 Decode	Compliant with MPEG-1/2 Audio Layer-3
WMA Decode	Compliant with WINDOWS MEDIA AUDIO

● Preout Level/Load-Unbalanced	2000mV/10kΩ (CD/CD-CH)
● Preout Impedance	≤600Ω

### ● AMP

Maximum Power	50W x 4
PWR DIN45324, +B=14.4V	30W x 4

### ● TONE

Bass	100Hz±10dB
Middle	1kHz±10dB
Treble	10kHz±10dB

### ● GENERAL

Operating voltage (11~16V allowable)	14.4V
Current Consumption	10A
Installation Size (W x H x D)	182 x 53 x 155 mm
Weight	1.40kg (3.1lbs)

---

KENWOOD follows a policy of continuous advancements in development. For this reason specifications may be changed without notice.

---

## KENWOOD CORPORATION

2967-3, Ishikawa-machi, Hachioji-shi, Tokyo, 192-8525 Japan

KENWOOD USA CORPORATION  
P.O. Box 22745, 2201 East Dominguez Street, Long Beach, CA 90801-5745, U.S.A.

KENWOOD ELECTRONICS CANADA INC.  
6070 Kestrel Road, Mississauga, Ontario, Canada L5T 1S8

KENWOOD ELECTRONICS LATIN AMERICA S.A.  
P.O. Box 55-2791 Paitilla, Plaza Credicorp Bank Panama,  
Piso 9, Oficina 901, Calle 50, Panama, Rep. de Panama

KENWOOD ELECTRONICS BRASIL LTDA.  
Alameda Ministro Rocha Azevedo No. 456,  
Edifício Jaú, 10o Andar, Cerqueira César, Cep 0140-001,  
São Paulo-SP-Brasil

KENWOOD ELECTRONICS UK LIMITED  
Kenwood House, Dwight Road, Watford, Herts, WD18 9EB, United Kingdom

KENWOOD ELECTRONICS DEUTSCHLAND GMBH  
Rembrücker-Str. 15, 63150 Heusenstamm, Germany

KENWOOD ELECTRONICS FRANCE S.A.  
13, Boulevard Ney, 75018 Paris, France

KENWOOD ELECTRONICS BELGIUM N.V.  
Leuvensesteenweg 248 J, 1800 Vilvoorde, Belgium

KENWOOD ELECTRONICS ITALIA S.p.A.  
Via G. Sirtori 7/9, 20129 Milano, Italy

KENWOOD IBÉRICA S.A.  
Bolivia, 239-08020 Barcelona, Spain

KENWOOD ELECTRONICS AUSTRALIA PTY. LTD. (A.C.N. 001 499 074)  
16 Giffnock Avenue, Centrecourt Estate, North Ryde,  
N.S.W. 2113, Australia

KENWOOD ELECTRONICS (HONG KONG) LTD.  
Unit 3712-3724, Level 37, Tower 1, Metroplaza, 223 Hing Fong Road, Kwai Fong, N.T.,  
Hong Kong

KENWOOD ELECTRONICS GULF FZE  
P.O. Box 61318, Jebel Ali, Dubai, U.A.E.

KENWOOD ELECTRONICS (THAILAND) CO., LTD.  
2019 New Pechburi Road, Bangkok, Huaykwang, Bangkok, 10320 Thailand

KENWOOD ELECTRONICS SINGAPORE PTE. LTD.  
1 Genting Lane, #07-00, Kenwood Building, Singapore, 349544

KENWOOD ELECTRONICS (MALAYSIA) SDN BHD  
#4.01 Level 4, Wisma Academy Lot 4A, Jalan 19/1, 46300 Petaling Jaya, Selangor Darul Ehsan,  
Malaysia